

本产品目录中所登录的产品，均按其使用目的，依照相关法规、规格所规定的功能及性能进行设计。用户在使用过程中，如果使之组装于机器设备中，或其他预料不到的情况下使用，而造成产品性能、功能的下降，或因不可预料的使用而引发的事故，本公司将不承担任何责任，如需特殊用途下使用时，请事先与德尼起重技术部门联系确认。

The products entered in this catalog products are all designed according to their application purposes, in compliance with functions and performances stipulated in related legal regulations and specifications. Our company shall undertake no responsibility at all for any deterioration of product performances of functions due to user assembly of them in machines and equipments, or application of them under other unexpected situations during use, or for any accidents arising from unexpected use. Please contact technical department of DENICranes company for confirmation in advance when application for special purposes is required.

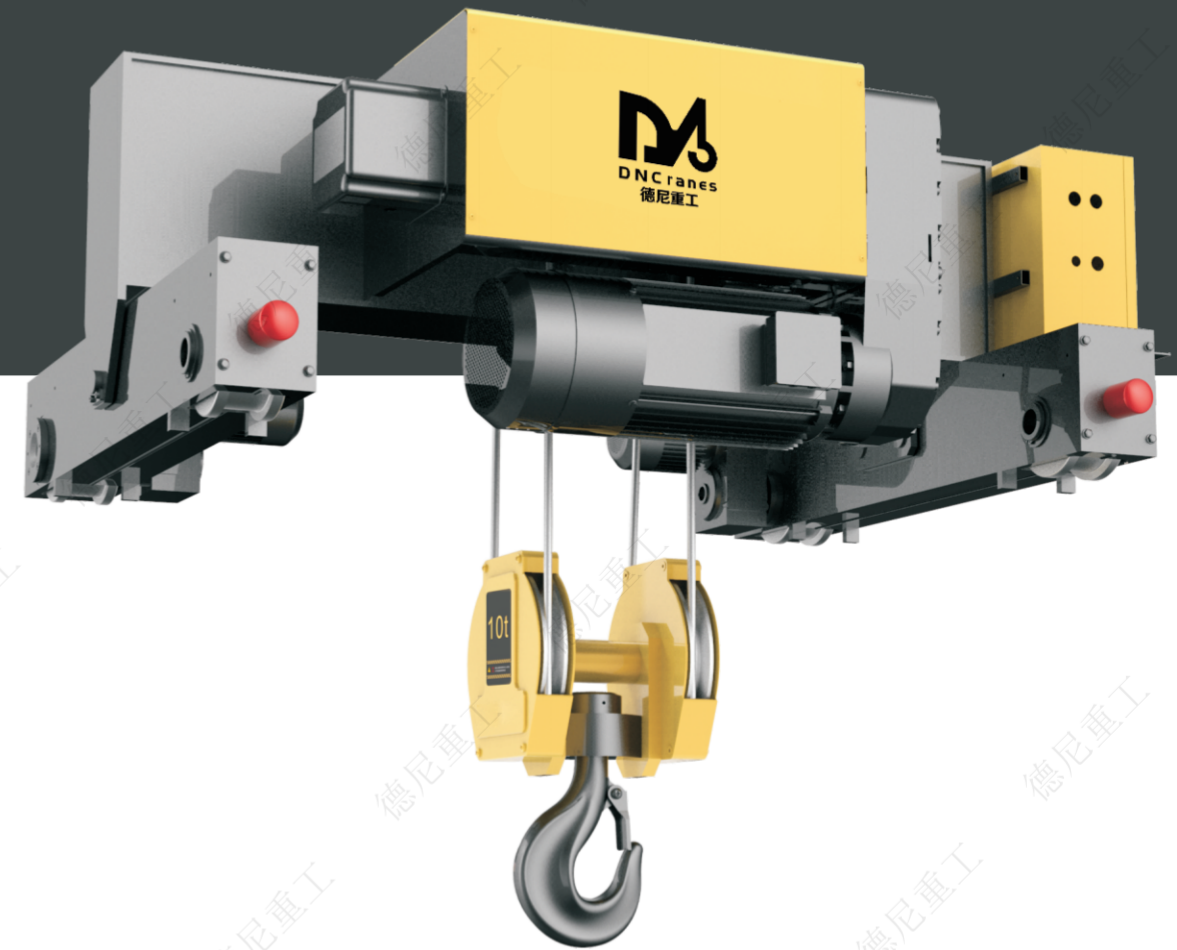
由于公司坚持在产品开发中不断改进的原则，因此产品的规格可能有所变更，恕不另行通知。

For modification of product specification subjects to continuous betterment in development of Liftin products, no notice will be given separately.

EUROPEAN CRANE PRODUCT
SELECTION GUIDE

CCC CE UL JIS GB F.E.M DIN


DNCranes
德尼重工



德尼重工（江苏）有限公司

销售热线：177 5162 1770

传真：0523-84633319

邮箱：sanmack@163.com

网址：www.js-dn.com

地址：江苏省靖江市建安路18号

德尼重工（江苏）有限公司

DENI(JIANGSU)CRANES CO., LTD

高效、安全 / 24小时优质服务
High efficiency, safety / 24H high quality service



- 德尼使命：关心员工，关爱客户，关注安全，促进人类社会进步
- 经营理念：道同志合，出陈易新
- 核心价值观：进取，开放，分享，创新

ABOUT US

关于我们

德尼重工（江苏）有限公司一家专注于智能搬运设备和起重物流系统研发、制造、销售和服务的公司。公司致力于研究设备与人如何更好的融合，通过创新，让设备更好地为人类服务，同时更多地关注安全和用户体验。“道同志合，出陈易新”，融合与创新是合易的经营理念，我们理解开放、融合是人类进步的主流，同时我们积极创新，紧跟技术变革的新趋势。

德尼重工为客户提供先进的起重物流产品，解决客户在自动化生产中遇到的空中物料运输问题，提升和改善客户的生产效率和人工成本，确保物料搬运中的安全和快捷，并提供专业的售前技术支持以及产品维护。

德尼重工研发制造创新智能搬运产品，减轻人类在生产过程中的繁重劳动，提高效率，增强企业的竞争力。

我们的产品工业领域都有应用，主要集中在航空、造船、汽车、机车、造纸、港口、化工、石化天然气等大型制造业和重大投资领域上，我们的产品凭借其优秀的安全可靠性赢得了广大客户的忠实拥护。





EUROPEAN TYPE CRANE

why choose Deni

欧式起重机为什么选择德尼

出色性能值得拥有

模块化设计使我们的产品能够灵活组合，满足客户的个性化需求。FH3环链电动葫芦可以与手动或电动小车搭配，安装在柔性梁，单轨吊，悬臂吊或桥式起重机上。标配快慢速的电动小车与快慢速的电动葫芦相结合，为您的物料搬运提供灵活、高效的解决方案。

The modular design allows flexible combination of our products, quickly meets customers' requirements and individual design, and makes maintenance much easier. FH3 electric chain hoists can collocate with manual or electric trolley, which can be installed on a flexible girder, monorail crane, cantilever crane or bridge crane, and frequency-controlled electric trolley combines with high lifting speed, which can provide a flexible and efficient solution for your materials handling.

为客户量身设计

标准化、人性化的设计在提升操作性能的同时大大降低了维护成本。FH3环链电动葫芦主要部件采用免维护设计，在安全、规范的使用过程中无需更换，仅进行日常维护保养即可。

Standardized and humanized design can improve operating performance as well as can significantly reduce maintenance costs. The main parts of FH3 electric chain hoist are adopted maintenance-free design, and it is no need to be replaced, but only routine maintenance, when using according to safety specification.

按国际高标准制造

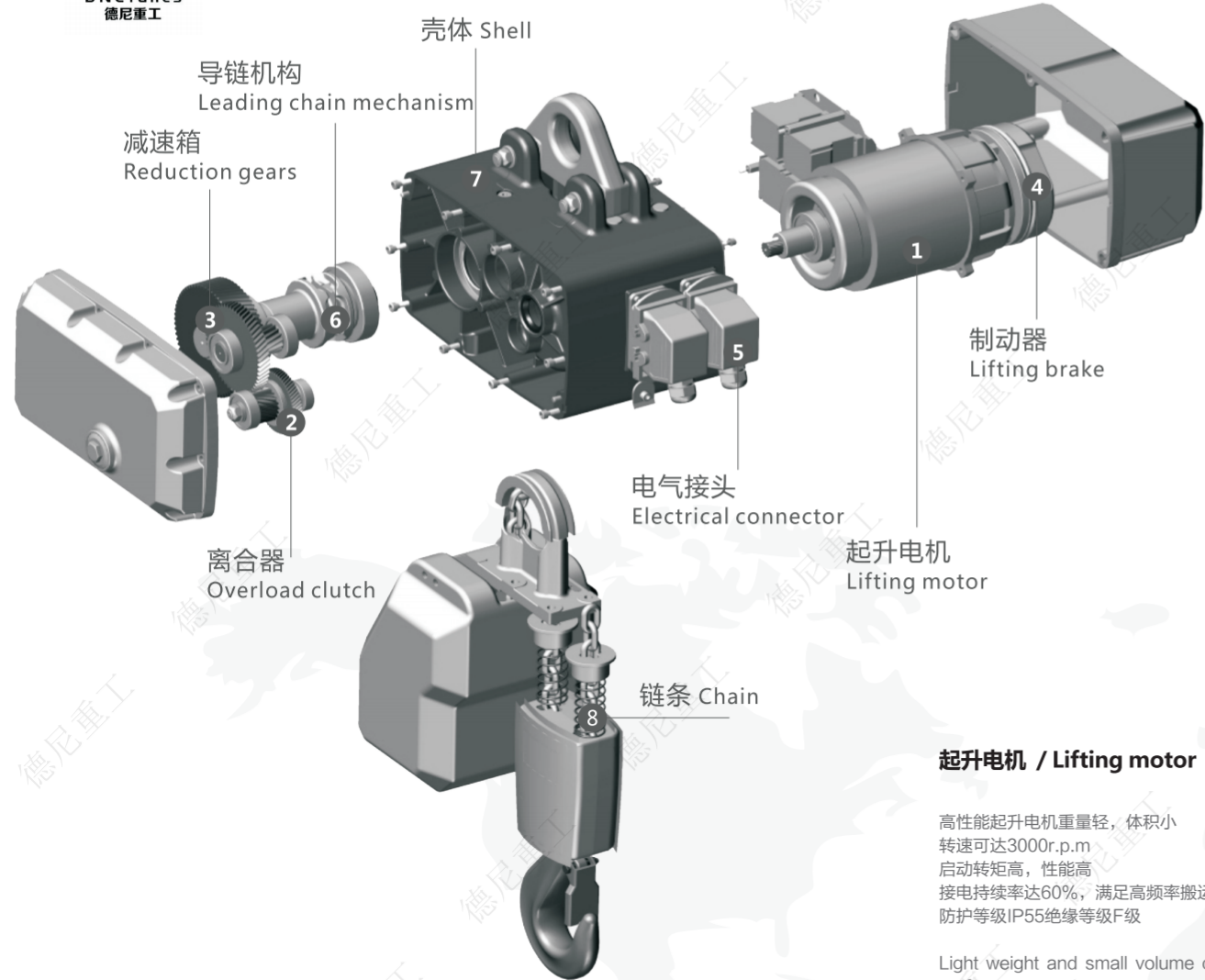
FH3环链电动葫芦自推出以来，以其优异的品质、良好的性能、极具竞争力的价格，受到起重机制造商和最终用户的一致认可，迅速成为用户采购轻中型载荷起重搬运设备的首选、传承德国先进的产品设计理念，FH3系列环链电动葫芦结构紧凑、性能可靠、拓展性强、FH3环链葫芦严格按照欧洲FEM、EN及德国DIN标准设计和制造，同时满足ISO及中国GB和JB等标准

Since FH3 electric chain hoists were launched, it has been unanimously approved by the crane manufacturer and the end customer based on its excellent quality, good performance, most competitive prices, and it has rapidly become the first choice for customers to purchase light and medium load lifting handling equipment. The product inherits advanced design concepts of Germany, such as compact structure, reliable performance, durability, wide applications of FH3 series electric chain hoist. FH3 chain hoist is designed and manufactured in strict accordance with European FEM, EN and Germany DIN standard, and it meets ISO and China GB, JB and other standards.

FH3系列环链电动葫芦

- »全新简约化设计 / Brand new simple design
- »全密封式机体 / Fully enclosed body
- »新型压铸铝壳体 / New die-cast aluminum shell
- »设备自重轻 / Self-weight of equipment is light
- »高效电机，高效传动 / Efficient motor, efficient transmission
- »免维护设计 / Maintenance-free design
- »操作简单，轻便实用 / Easy operation, portable and practical
- »使用寿命大幅提升 / Sharply promote service life
- »安全可靠，提高作业效率 / Safe and reliable, can improve operation efficiency

FH3 ELECTRIC CHAIN HOISTS



导链机构
Leading chain mechanism

减速箱
Reduction gears

壳体 Shell

制动器
Lifting brake

电气接头
Electrical connector

起升电机
Lifting motor

离合器
Overload clutch

链条 Chain

起升电机 / Lifting motor

高性能起升电机重量轻，体积小
转速可达3000r.p.m
启动转矩高，性能高
接电持续率达60%，满足高频率搬运的需求
防护等级IP55绝缘等级F级



Light weight and small volume of high-performance motor.
Rotating speed can be up to 3000r.p.m.
High starting torque and high energy efficiency.
Sustained rate of electric connection reaches up to 60%, which can meet the demand for high-frequency handling.
Protection grade IP55 and insulation grade F.

超载离合器 / Overload clutch

集成在传动齿轮轴上
超载保护功能，保护扭矩
高达安全载荷的1.4倍
免维护设计，超载力矩可调



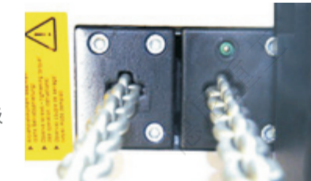
Integrated in the drive gear shaft.
Overload protection function.
can keep torque up to 1.4 times of safe load.
Maintenance-free design, adjustable overload torque.



减速箱 / Reduction gears

斜齿设计，传动效率高，噪声低
硬齿面加工，磨齿后热处理，齿轮精度等级6级
完全油浴润滑，超低噪声，超长寿命
啮合完美，传动高效

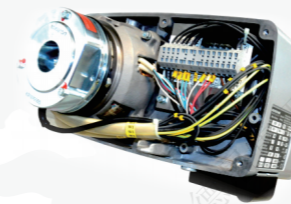
Helical gear design, with high transmission efficiency and low noise.
Hardened gear surface processing, heat treatment after gear grinding, Grade 6 precision of gears or even higher.
Full oil bath lubrication, ultra low noise and long life.
Perfect meshing and efficient transmission.



导链机构 / Leading chain mechanism

导链轮5窝设计
表面硬化处理
导链更平滑更安静
满足严苛的工作环境

Leading chain wheel with five sockets design, and surface hardening treatment.
Smoother and quieter leading chain.
It can meet the harsh working environment.



制动器 / Lifting brake

电磁盘式制动器布置在传动齿轮轴末端
制动介质不含石棉
制动盘免维护设计，使用寿命高达100万次
制动器完全封闭，防护等级高
满足在恶劣环境下工作要求

Electromagnetic disc is located at the end of transmission gear.
The medium of brake don't include asbestos.
Free from maintenance, the electromagnetic disc has a service life up to 1 million times.
The brake is totally enclosed, featuring a high protection level.
It meets the requirement for working in bad environment.



壳体 / Overload clutch

高强度合金压铸一体成型
耐腐蚀、密封性好
特殊的悬挂设计
避免箱体受到载荷作用力
电气壳体采用工程塑料
整体自重轻，散热好

Die-casting high-strength alloy is integrally molded, with corrosion resistance and good sealing.
Special suspension design, to avoid box from load force.
Engineering plastic of motor casing.
Light overall weight, good heat dissipation



电气接头 / Electrical connector

铝合金标准接插件
防错接、漏接
10芯接头，使控制及供电更容易
即插即用，方便快捷

Connectors with aluminum standard prevent misconnection and bobble.
10-core connector can make it easier for control and power supply.
Plug and play, convenient and efficient.



链条 / Chain

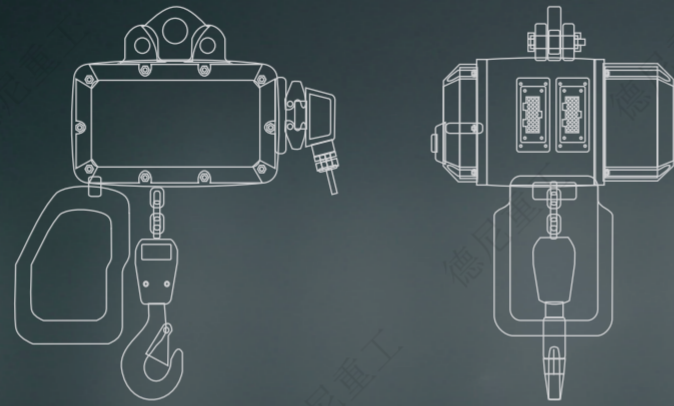
高强度特殊合金钢渗碳链条
表面镀锌处理
耐磨损，耐腐蚀
安全系数高

Carburizing chain of special high-strength alloy steel.
Surface with galvanization treatment.
Abrasion-resistant and corrosion-resistant.
High safety factor.

PRODUCT

Advantage

产品优势

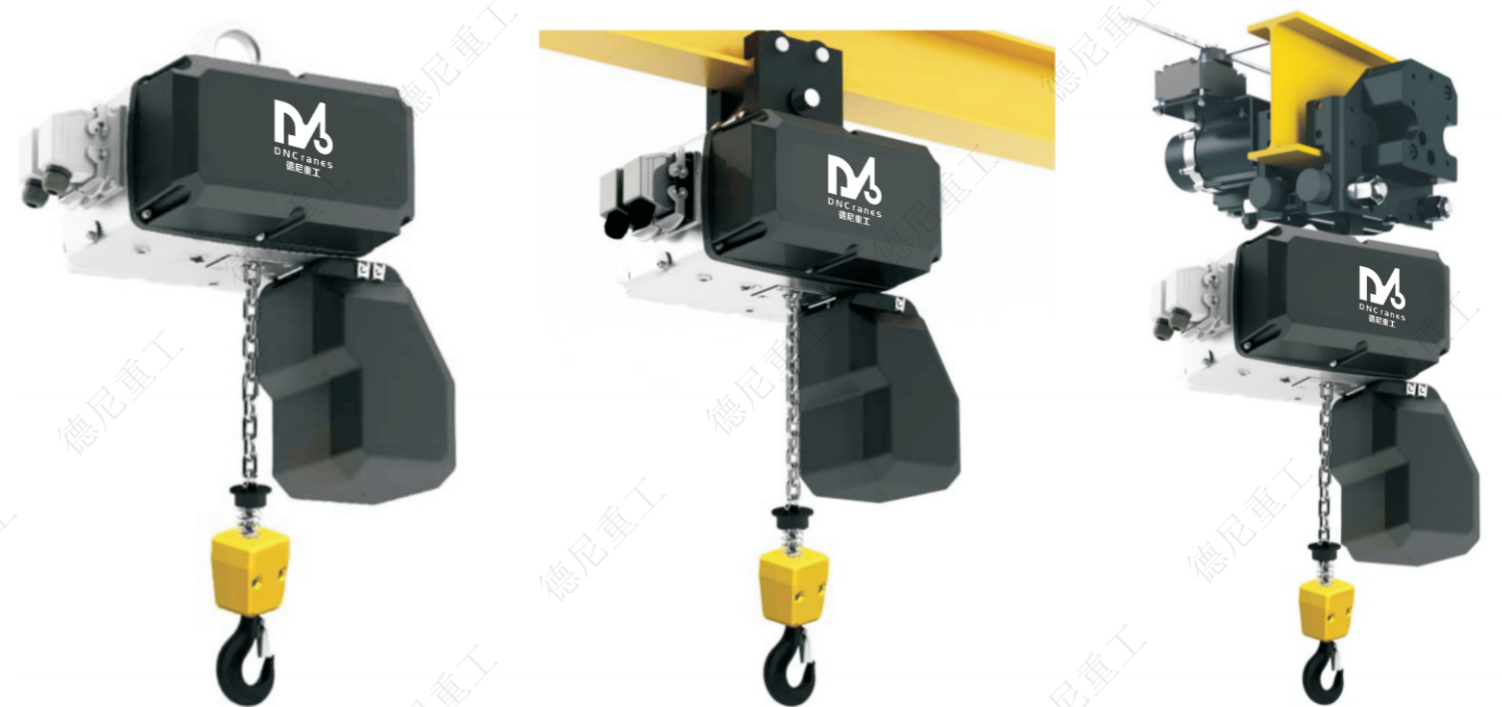


FH3环链葫芦选型表

Selection table of FH3 series electric chain hoists

额定起重量 CAPACITY (kg)	工作级别 WORKING CLASS (FEM)	工作级别 WORKING CLASS (ISO/GB)	型号 TYPE	功率 POWER (KW)	起升速度 LIFTING SPEED (m/min)	链数 NO.of falla
250	3m	M6	FH3 1051 02504	0.19	4/1.3	1
250	3m	M6	FH3 1051 02508	0.38	8/2	1
250	2m	M5	FH3 1051 02512	0.6	12.5/3.1	1
320	2m	M5	FH3 1051 03208	0.49	8/2	1
320	1Am	M4	FH3 1051 03212	0.77	12.5/3.1	1
500	3m	M6	FH3 2071 05005	0.48	5/1.6	1
500	1Am	M4	FH3 1051 05008	0.77	8/2	1
500	3m	M6	FH3 2071 05008	0.77	8/2	1
500	2m	M5	FH3 2051 05016	1.53	16/4	1
630	1Am	M4	FH3 1052 05006	0.76	6.3/1.6	2
630	2m	M5	FH3 2071 06308	0.97	8/2	1
630	1Am	M4	FH3 2051 06316	1.93	16/4	1
1000	1Am	M4	FH3 1052 10004	0.77	4/1	2
1000	2m	M5	FH3 2071 10005	0.96	5/1.6	1
1000	1Am	M4	FH3 2071 10008	1.53	8/2	1
1000	2m	M5	FH3 5091 10016	3.07	16/4	1
1600	2m	M5	FH3 2072 16004	1.23	4/1	2
1600	2m	M5	FH3 5091 16008	2.45	8/2.6	1
2000	1Am	M4	FH3 2072 20004	4.53	4/1	2
2000	1Am	M4	FH3 5111 20008	3.07	8/2	1
2000	2m	M5	FH3 5111 20006	2.41	6.3/1.6	1
2500	2m	M5	FH3 5092 25004	1.92	4/1.3	2
2500	1Am	M4	FH3 5111 25006	3.02	6.3/1.6	1
3200	1Am	M4	FH3 5092 32004	2.45	4/1.3	2
3200	2m	M5	FH3 5112 32003	1.96	3.2/0.75	2
4000	1Am	M4	FH3 5112 40004	3.07	4/1	2
4000	2m	M5	FH3 5112 40003	2.45	3.2/0.75	2
5000	1Am	M4	FH3 5112 50003	3.07	3.2/0.75	2

更多参数及非标产品请联系德尼重工
Contact DENI For more parameters and non-standard products



环链葫芦标准供货范围

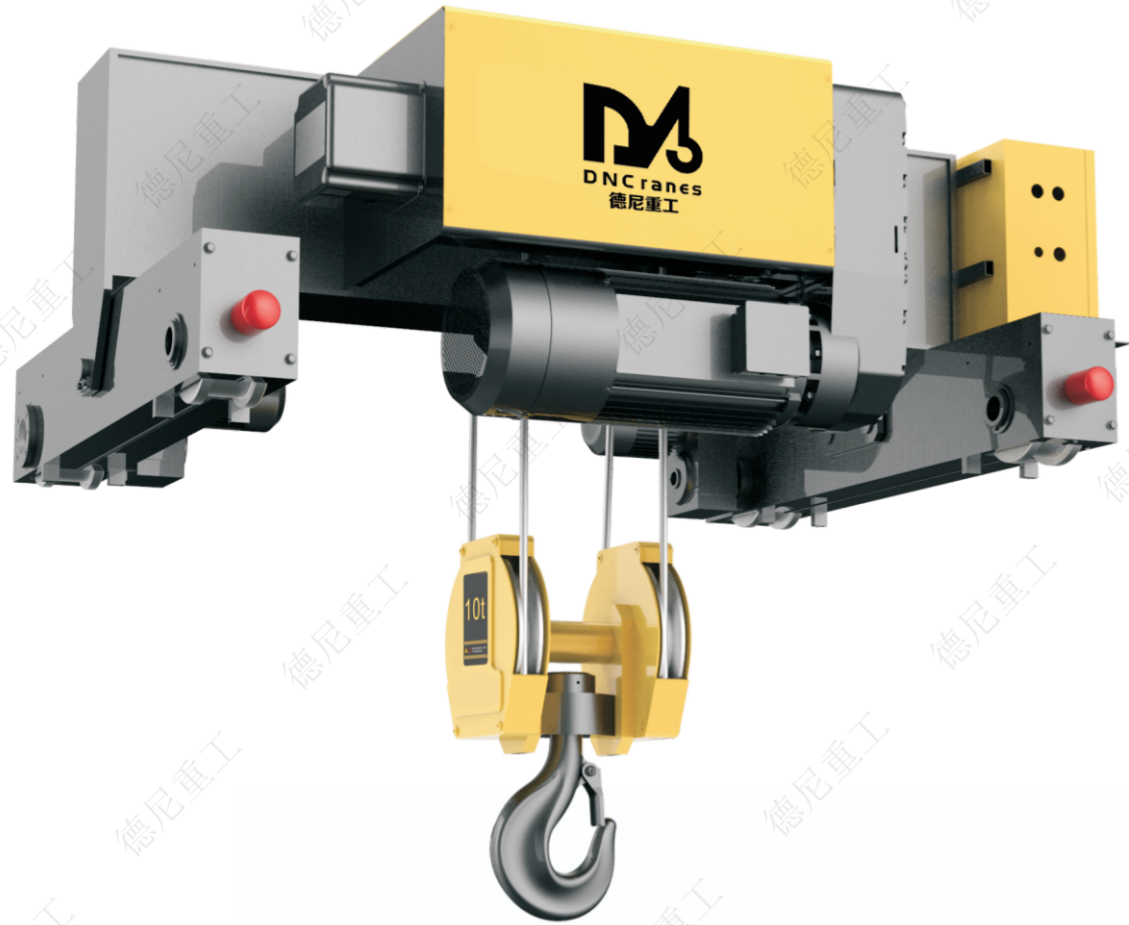
Standard configuration of FH3 series electric chain hoist

- 1、双速起升 / 2、可拆卸上吊耳 / 3、起升高度3米的链条 / 4、FEM工作等级制度1Am/2m/3m/5、380V/48V/50Hz起升电控系统带快速接头的控制用的手电门
- 7、上下电子限位开关 / 8、黑色塑料链盒 / 9、安全制动器 / 10、安全摩擦离合器

- 1、Double-speed lifting / 2、Dismountable lifting ears / 3、Chain of lifting height of 3 meters / 4、FEM work hierarchy of 1Am / 2m / 5、380V/48V/50Hz lifting electronic control system
- 6、Controllable hand switch with quick coupling / 7、Upper and lower limit switches / 8、Black plastic chain case / 9、Safety brake / 10、Friction clutch

European Style Electric Hoist

德尼 / 欧式起重设备



Excellent Per
Safe and Rel

卓越性能 / 安全可靠

运行机构 Travelling system

减速机、电机和制动器三合一设计，结构紧凑，运行平稳，效率高，冲击力小。

Integrated design of gearbox, motor and brake, compact structure, stable operation, High efficiency and small impact.

导绳器 Rope Guide

采用高韧性、抗断裂的工程塑料尼龙制成。重量轻、耐磨性好，减少对钢丝绳的磨损。

Made of engineering plastic nylon, light weight, excellent wear resistance, reducing the wear to the wire rope.

卷筒 Drum

采用Q345材质的无缝钢管作为原材料。先进的加工手段，保证卷筒同心度。绳槽深度符合FEM标准。

The material is Q345 seamless steel tube. The advanced machining ensures the drum concentricity. The depth of rope groove conforms to FEM.

吊钩组 Hook block

DIN标准吊钩，带安全扣及钢丝绳护套。

DIN standard hook with safety buckle and wire rope sheath.

安全监控 Safety monitor

DENI 智能化监控，安全实用，人机友好界面，操作简单。

DENI intelligent monitoring system is safe and practical with friendly man-machine interface and simple operation.

高性能钢丝绳 High performance wire rope

进口高性能钢丝绳，抗拉强度达到2160Mpa，表面镀锌处理，可有效防腐蚀。

Imported high-performance wire rope with tensile strength 2160 N/m². Galvanized surface treatment make it corrosion resistance.

起升高度限制器 Height limiter switch

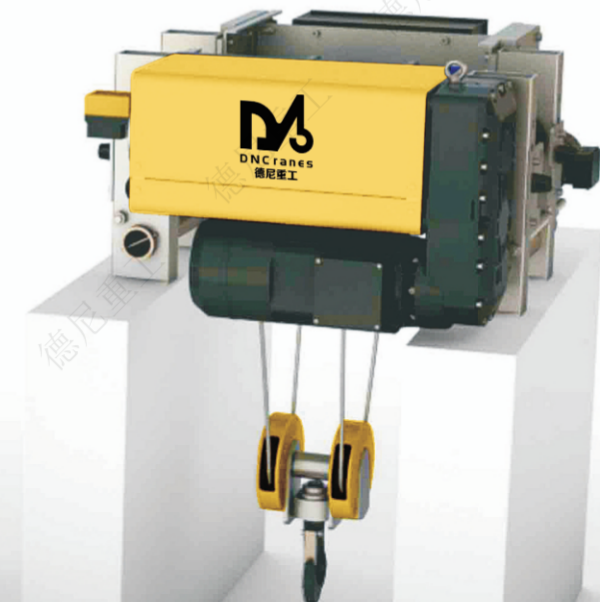
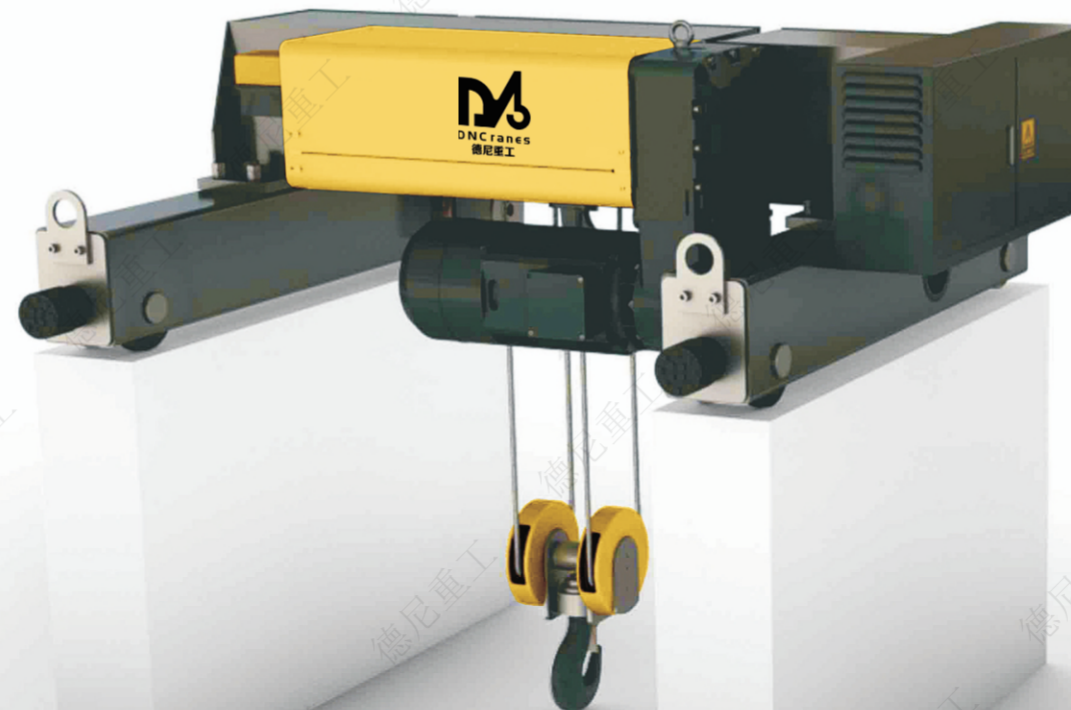
可自由调节的螺杆式起升高度限位器，精度高，调节范围广。多触点的配置可有效实现上升和下降的快、慢速的切换及停止功能。

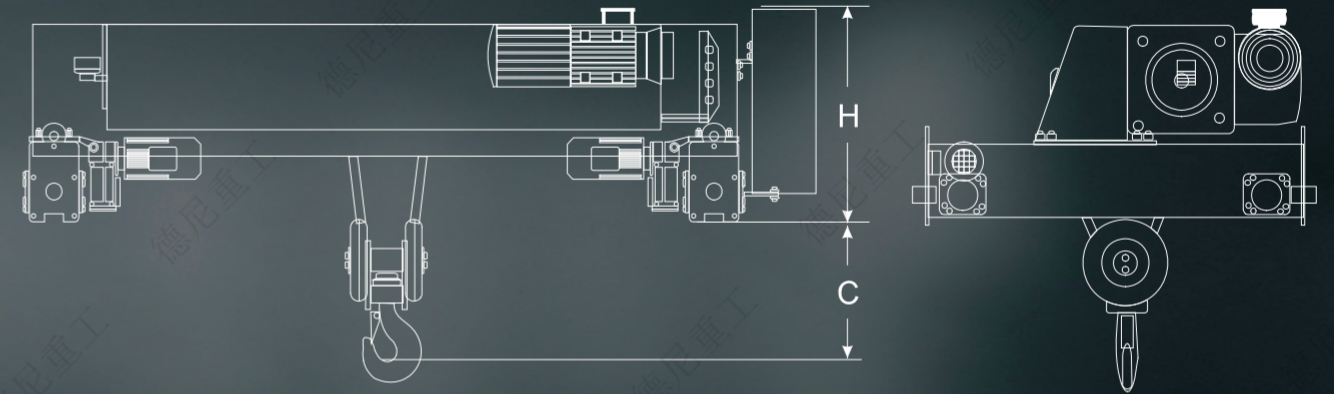
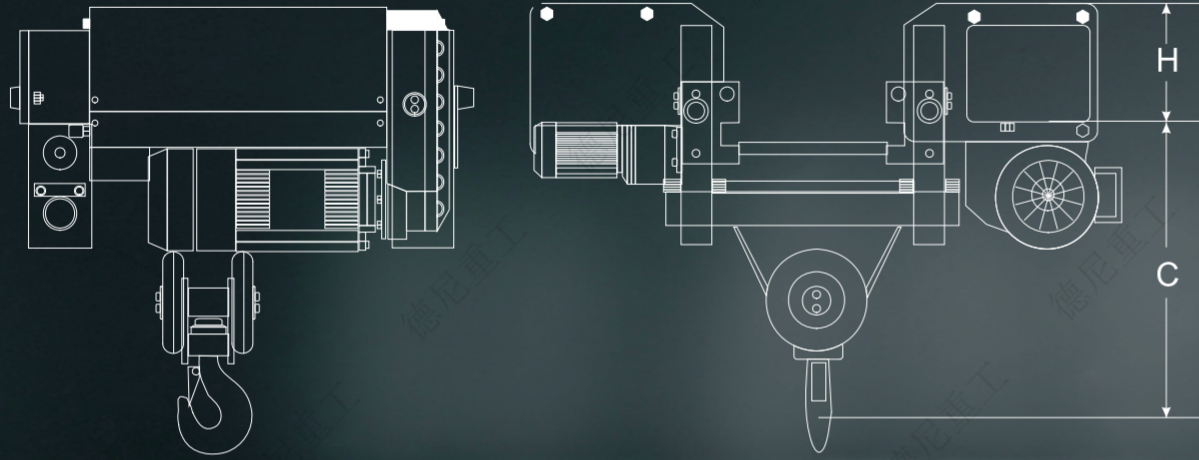
Freely adjustable screw lifting height limiter with high precision and wide adjustment range. Multi-touch configuration can effectively achieve the switching among fast, slow and stopping functions during rising and falling.

电控箱 Electric cabinet

布线合理，检修方便，多种控制保护，操作安全。

Reasonable design, easy maintenance, a variety of security devices to ensure safe operation and running of equipment.





LFT-S单梁钢丝绳电动葫芦选型表

Technical Parameters of Electric Hoist for LFT-S Single Girder Crane

额定起重量 CAPACITY (kg)	工作级别 WORKING CLASS (FEM)	工作级别 WORKING CLASS (ISO/GB)	起升高度 LIFTING HEIGHT (m)	起升速度 LIFTING SPEED (m/min)	小车行走速度 TROLLEY SPEED (m/min)	H尺寸 H SIZE (mm)	C尺寸 C SIZE (mm)
1000	4m	M7	6/9/12/18	0.8/5.0	5~20	245	600
1250	3m	M6	6/9/12/18	0.8/5.0	5~20	245	600
1600	3m	M6	6/9/12/18	0.8/5.0	5~20	245	600
1600	4m	M7	6/9/12/18	1.3/8.0	5~20	245	600
2000	2m	M5	6/9/12/18	0.8/5.0	5~20	245	600
2000	3m	M6	6/9/12/18	1.3/8.0	5~20	245	600
2500	3m	M6	6/9/12/18	0.8/5.0	5~20	245	600
2500	3m	M6	6/9/12/18	1.0/6.3	5~20	245	600
2500	2m	M5	6/9/12/18	1.3/8.0	5~20	245	600
3200	2m	M5	6/9/12/18	0.8/5.0	5~20	245	600
3200	2m	M5	6/9/12/18	1.0/6.3	5~20	245	600
5000	2m	M5	6/9/12/18	0.8/5.0	5~20	266	600
5000	2m	M5	6/9/12/18	1.6/10	5~20	296	600
5000	3m	M6	6/9/12/18	1.3/8.0	5~20	296	600
6300	1Am	M4	6/9/12/18	0.8/5.0	5~20	266	600
6300	1Am	M4	6/9/12/18	1.3/8.0	5~20	266	600
6300	2m	M5	6/9/12/18	1.3/8.0	5~20	266	600
6300	3m	M6	6/9/12/18	1.0/6.3	5~20	266	600
8000	1Am	M4	6/9/12/18	1.3/8.0	5~20	296	800
8000	3m	M6	6/9/12/18	0.8/5.0	5~20	296	800
10000	1Am	M4	6/9/12/18	1.0/6.3	5~20	296	800
10000	2m	M5	6/9/12/18	0.8/5.0	5~20	296	800
10000	3m	M6	6/9/12/18	0.66/4.0	5~20	296	800
12500	1Am	M4	6/9/12/18	0.8/5.0	5~20	296	800
12500	2m	M5	6/9/12/18	0.6/4.0	5~20	296	800
12500	2m	M5	6/9/12/18	0.6/4.0	5~20	296	800

LFT-D双梁钢丝绳电动葫芦选型表

Technical Parameters of Electric Hoist for LFT-D Double Girder Crane

额定起重量 CAPACITY (kg)	工作级别 WORKING CLASS (FEM)	工作级别 WORKING CLASS (ISO/GB)	起升高度 LIFTING HEIGHT (m)	起升速度 LIFTING SPEED (m/min)	小车行走速度 TROLLEY SPEED (m/min)	H尺寸 H SIZE (mm)	C尺寸 C SIZE (mm)
2000	2m	M5	6/9/12/18	0.8/5.0	5~20	460	350
3200	2m	M5	6/9/12/18	0.8/5.0	5~20	460	350
5000	2m	M5	6/9/12/18	0.8/5.0	5~20	460	350
5000	2m	M5	6/9/12/18	0.8/5.0	5~20	460	350
8000	3m	M6	6/9/12/18	0.8/5.0	5~20	540	360
10000	1Am	M4	6/9/12/18	1.0/6.3	5~20	540	360
10000	2m	M5	6/9/12/18	0.8/5.0	5~20	540	360
10000	3m	M6	6/9/12/18	0.66/4.0	5~20	540	360
12500	1Am	M4	6/9/12/18	0.8/5.0	5~20	540	420
12500	1Am	M4	6/9/12/18	1.0/6.3	5~20	540	420
12500	2m	M5	6/9/12/18	0.6/4.0	5~20	540	420
16000	2m	M5	6/9/12/18	0.66/4.0	5~20	640	480
20000	1Am	M4	6/9/12/18	0.66/4.0	5~20	640	480
20000	2m	M5	6/9/12/18	0.53/3.4	5~20	640	480
20000	3m	M6	6/9/12/18	1.0/4.2	5~20	790	620
25000	1Am	M4	6/9/12/18	0.53/3.4	5~20	790	620
25000	2m	M5	6/9/12/18	0.8/3.3	5~20	790	620
25000	2m	M5	6/9/12/18	1.0/4.2	5~20	790	620
32000	2m	M5	6/9/12/18	0.8/3.3	5~20	790	620
32000	2m	M5	6/9/12/18	0~4.9	5~20	895	980
40000	1Am	M4	6/9/12/18	0~4.9	5~20	895	980
50000	2m	M5	6/9/12/18	0~3.2	5~20	895	980
50000	1Am	M4	6/9/12/18	0~4.0	5~20	895	980
63000	1Am	M4	6/9/12/18	0~3.2	5~20	975	1100
63000	2m	M5	6/9/12/18	0~2.4	5~20	975	1100
80000	1Bm	M3	6/9/12/18	0~3.8	5~20	1025	1525



SINGLE GIRDER OVERHEAD CRANE

单梁桥式起重机

单梁桥式起重机价格低，技术先进。它刚性强，自重轻，减少起重机轨道负荷，性价比高、设计出众、行走特点突出，是您最佳选择。它能满足您的多种要求，使工作高效可靠。最大起重量20吨。

- A、以计算机优化设计的箱型梁为主承载梁。
- B、起重机端梁采用抗扭箱式结构。
- C、主梁与端梁的连接符合机械制造公差，使磨损度降到最低。
- D、带环链葫芦或钢丝绳葫芦的自身高度小，使吊钩靠边距离小，服务区域大。
- E、高度柔性的扁电缆向小车供电，并具有接地保护功能。
- F、全系标配防摇摆功能，运行更加平稳安全。

The single girder overhead crane is cheap but with advanced technology. It has the features of strong rigidity, light weight, reducing the crane rail load, superior design, and prominent traveling system which make it to be your best choice. It can meet your various requirements and make your working efficient and reliable. The max. lifting capacity is 20 tons.

- A. The main load-bearing girder is in box type with computer optimization design.
- B. The end carriage is in anti-torsion box type.
- C. The connection between main girder and end carriage conform to the tolerance in mechanical engineering, which reduce the wear to the minimum.
- D. The height with chain hoist or wire rope hoist is small, which make the hook near the border and increase the service area.
- E. High flexible flat cable power supply to the trolley with ground protection.
- F. Anti-swaying function ensures the stable operation.

LD单梁起重机选型表

Technical Parameters of LD Single Girder Overhead Crane

额定起重量 CAPACITY (kg)	工作级别 WORKING CLASS (FEM)	工作级别 WORKING CLASS (ISO/GB)	起升高度 LIFTING HEIGHT (m)	跨度 SPAN / (m)	起升速度 LIFTING SPEED (m/min)	行走速度 TROLLEY SPEED (m/min)	大车行走速度 CRANE SPEED (m/min)
2000	1AM-4M	M3-M6	6/9/12/15/18	10.5/13.5/16.5/19.5/22.5/25.5/28.5/31.5	0.8/5	2~20	3~30
3200	1AM-4M	M3-M6	6/9/12/15/18	10.5/13.5/16.5/19.5/22.5/25.5/28.5/31.5	0.8/5	2~20	3~30
5000	1AM-4M	M3-M6	6/9/12/15/18	10.5/13.5/16.5/19.5/22.5/25.5/28.5/31.5	0.8/5	2~20	3~30
6300	1AM-4M	M3-M6	6/9/12/15/18	10.5/13.5/16.5/19.5/22.5/25.5/28.5/31.5	0.8/5	2~20	3~30
8000	1AM-4M	M3-M6	6/9/12/15/18	10.5/13.5/16.5/19.5/22.5/25.5/28.5/31.5	0.8/5	2~20	3~30
10000	1AM-4M	M3-M6	6/9/12/15/18	10.5/13.5/16.5/19.5/22.5/25.5/28.5/31.5	0.8/5	2~20	3~30
12500	1AM-3M	M3-M5	6/9/12/15/18	10.5/13.5/16.5/19.5/22.5/25.5/28.5/31.5	0.8/5	2~20	3~30
16000	1AM-3M	M3-M5	6/9/12/15/18	10.5/13.5/16.5/19.5/22.5/25.5/28.5/31.5	0.66/4	2~20	3~30
20000	1AM-3M	M3-M5	6/9/12/15/18	10.5/13.5/16.5/19.5/22.5/25.5/28.5/31.5	0.66/4	2~20	3~30

更多参数及非标产品请联系德尼重工
Contact DENI For more parameters and non-standard products

DOUBLE GIRDER OVERHEAD CRANE

双梁桥式起重机

双梁桥式起重机具有极好的自重/载重比。其结构设计合理，从而保证了良好的运行状态并且降低磨损。由于吊钩可以上升到两根主梁之间，故吊升使用高度大幅度提高，根据要求，我们双梁桥式起重机还可选用遥控或驾驶室控制，可作为选项，还可以加装维修走道和小车维修平台，这不仅便于起重机维修保养，还能使维修人员速速而安全地到达厂房的其他设施，如照明设备、暖气或动力管线等。起重量最大500吨，跨度最大30米。

The double girder overhead crane has excellent ratio of dead weight/load capacity. Its reasonable structure ensures the good running status and reduces the wear. The hook can be risen to the middle between the two main girders, which greatly improves the lifting height. According to customer's request, the crane can be in remote control or cab control. As an option, maintenance walkway and trolley maintenance platform is available, which is not only convenient for the maintenance, but also convenient for the maintenance personnel rapidly and safely accesses to the other devices in workshop, such as lighting equipment, heating and power pipeline, etc. The max. lifting capacity is 500 tons.

优势与特征

- A、高性能的工作来自双梁设计以及小车和起重机的高速运行。
- B、自重轻、减少投资成本。
- C、选装件
 - 可选的维修平台
 - 可选的驾驶室控制
- D、全系标配防摇摆功能，运行更加平稳安全。

Advantages and Features:

- A. High efficient work due to double girder design and high speed running of trolley and crane;
- B. Light weight save the invest cost.
- C. Available options
 - maintenance platform
 - Cab control
- D. Anti-swaying function ensures the stable operation.



LH双梁 / MG门式起重机选型表

Technical Parameters of LH Double Girder Overhead Crane / MG Gantry Crane

额定起重量 CAPACITY (kg)	工作级别 WORKING CLASS (FEM)	工作级别 WORKING CLASS (ISO/GB)	起升高度 LIFTING HEIGHT (m)	跨度 SPAN / (m)	起升速度 LIFTING SPEED (m/min)	行走速度 TROLLEY SPEED (m/min)	大车行走速度 CRANE SPEED (m/min)
2000	1AM-4M	M3-M6	6/9/12/15/18	10.5/13.5/16.5/19.5/22.5/25.5/28.5/31.5	0.8/5	2~20	3~30
3200	1AM-4M	M3-M6	6/9/12/15/18	10.5/13.5/16.5/19.5/22.5/25.5/28.5/31.5	0.8/5	2~20	3~30
5000	1AM-4M	M3-M6	6/9/12/15/18	10.5/13.5/16.5/19.5/22.5/25.5/28.5/31.5	0.8/5	2~20	3~30
6300	1AM-4M	M3-M6	6/9/12/15/18	10.5/13.5/16.5/19.5/22.5/25.5/28.5/31.5	0.8/5	2~20	3~30
8000	1AM-4M	M3-M6	6/9/12/15/18	10.5/13.5/16.5/19.5/22.5/25.5/28.5/31.5	0.8/5	2~20	3~30
10000	1AM-4M	M3-M6	6/9/12/15/18	10.5/13.5/16.5/19.5/22.5/25.5/28.5/31.5	0.8/5	2~20	3~30
12500	1AM-3M	M3-M5	6/9/12/15/18	10.5/13.5/16.5/19.5/22.5/25.5/28.5/31.5	0.8/5	2~20	3~30
16000	1AM-3M	M3-M5	6/9/12/15/18	10.5/13.5/16.5/19.5/22.5/25.5/28.5/31.5	0.66/4	2~20	3~30
20000	1AM-3M	M3-M5	6/9/12/15/18	10.5/13.5/16.5/19.5/22.5/25.5/28.5/31.5	0.66/4	2~20	3~30
25000	1AM-3M	M3-M5	6/9/12/15/18	10.5/13.5/16.5/19.5/22.5/25.5/28.5/31.5	0.8/3.2	2~20	3~30
32000	1AM-3M	M3-M5	6/9/12/15/18	10.5/13.5/16.5/19.5/22.5/25.5/28.5/31.5	0.8/3.2	2~20	3~30
40000	1AM-3M	M3-M5	6/9/12/15/18	10.5/13.5/16.5/19.5/22.5/25.5/28.5/31.5	0.8/3.2	2~20	3~30
50000	1AM-3M	M3-M5	6/9/12/15/18	10.5/13.5/16.5/19.5/22.5/25.5/28.5/31.5	0.8/3.2	2~20	3~30
63000	1AM-3M	M3-M5	6/9/12/15/18	10.5/13.5/16.5/19.5/22.5/25.5/28.5/31.5	0-2.9	2~20	3~30
80000	1AM-2M	M3-M4	6/9/12/15/18	10.5/13.5/16.5/19.5/22.5/25.5/28.5/31.5	0-2.9	2~20	3~30

更多参数及非标产品请联系德尼重工
Contact DENI For more parameters and non-standard products

SINGLE/DOUBLE GIRDER SUSPENSION CRANE

单/双梁悬挂起重机

单/双梁悬挂起重机可以直接安装在现有厂房的屋顶结构上，因而不必再安装起重机轨道，这就可将全部厂房面积用于生产。此外，还可以根据需求只用于厂房部分区域，通过使用侧端悬臂，可使小车的行使范围超出起重机跨距。起重量最大5吨。

优势与特征

- A、端梁根据结构合理进行优化设计。
- B、箱型梁作为主梁。
- C、由于主梁末端的独特设计，重物可被快速吊运到离厂房墙面很近的位置。
- D、全系标配防摇摆功能，运行更加平稳安全。

The single/double girder suspension crane can be directly installed on the roof structure of existing plant without additional crane rail, which can make all the place being the working area. Moreover, it can be only used in part of plant area according to request. The traveling range of trolley can exceed the crane span through using the side cantilever. The max. lifting capacity is 5 tons.

Advantages and Features:

- A. The end carriage is optimized design according to reasonable structure
- B. Box type main girder
- C. The heavy objects can be moved rapidly to the place near the plant wall due to the unique design of main girder terminal.
- D. Anti-swaying function ensures the stable operation



SINGLE / DOUBLE GIRDER SUSPENSION CRANE

GANTRY CRANE

门式起重机

门式起重机适用于堆场及厂房内无牛腿支撑的场合，形式分为半龙门起重机和龙门式起重机，最大吨位可到500吨。门式起重机易于维护，具有高可靠性和安全性，安装方便，无需改变厂房结构，就可以满足物流输送需求。

优势与特征

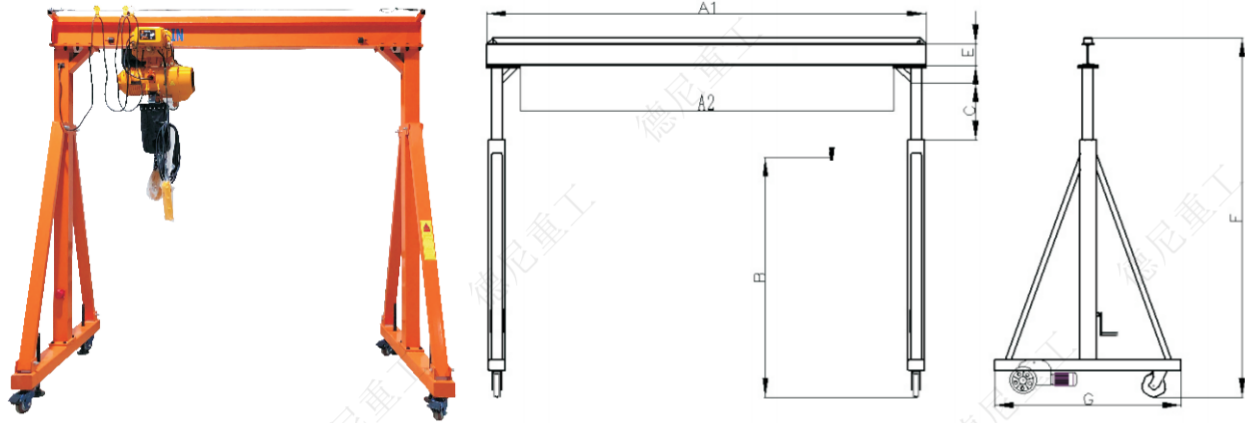
- A、紧凑设计
- B、快速平稳装载
- C、更安全，可靠，采用免维护设计
- D、性能更优良

Gantry crane is suitable for the storage yard and the occasions of plants without bracket support. It has semi-gantry type and gantry type. The max. lifting capacity is 500 tons. The gantry crane has the features of easy maintenance, high reliability and safety, and easy installation. It can meet material handling without changing the plant structure.

Advantages and characteristics

- A. compact design
- B. fast and stable loading
- C. more secure, reliable, the maintenance free design
- D. better performance





轻型移动式龙门起重机

Light weight mobile gantry

使用德尼轻型移动式龙门起重机，您能拥有可移动的德尼电动葫芦的吊装力。这种起重机的载重能力可达10吨，并具有4个可定向定位轮子，操作方便。要您有需要吊装的地方，它总能满足您的需要。它根据装载能力的需要最大跨度可达14米，最大高度可达9米。除此以外，起重机的拆卸也很方便。

重量：可达10吨

应用范围：手推移动式或电动行走。

特点：易于移动和拆卸，带有4个可定向的定位轮子，（其中两个带有90度角方向锁定）。任何地方都可使用的起吊装置，德尼轻型移动式龙门起重机是理想的仓库辅助。

By using DENI lightweight mobile gantry crane, you will have the moving DENI ability. The crane has a capacity of 10 tons and has 4 variable positioning wheels, which is easy to operate. If you have the requirement of DENI, it can always meet your needs. The maximum span can reach 14 meters and the maximum height can reach 9 meters according to the requirement of loading capacity. In addition, it's very easy to disassemble the crane.

Weight: up to 10 tons

Application range: Manually or Motorized

Features: easy to move and disassemble, with 4 variable positioning wheels, (two of which are locked with 90 degree angle direction). The device can be used in anywhere, DENI lightweight mobile crane is an ideal auxiliary equipment for your warehouse.





光电感应

手柄内部配置有光电感应装置，该装置可以识别操作人员是否到位，除非操作人员发出运动指令，否则装置不允许设备运行。

Photoelectric induction

Photoelectric induction device was installed inside the handle, the device can recognize if the operation person are in place, the device will not allow the equipment to operate unless staff issue a movement command.

液晶显示功能

手柄上安装有液晶显示器，可以对提升机运行参数进行菜单式设置，并且还可以显示载荷重量、运行模式、错误代码等信息。

Liquid crystal displaying function

The handle is provided with a liquid crystal display, which can be used for swtting the operating parameters of the hoist by menu, and can display the load weight, operation mode, error code and other information.

360° 旋转组件

手柄内部安装有旋转组件，允许进行360° 旋转，您可以在任何方向上对其进行操作。

360 Degree rotating assembly

The handle is internally provided with a rotating assembly which allows for a 360 degree rotation, and you can operate it in any direction.

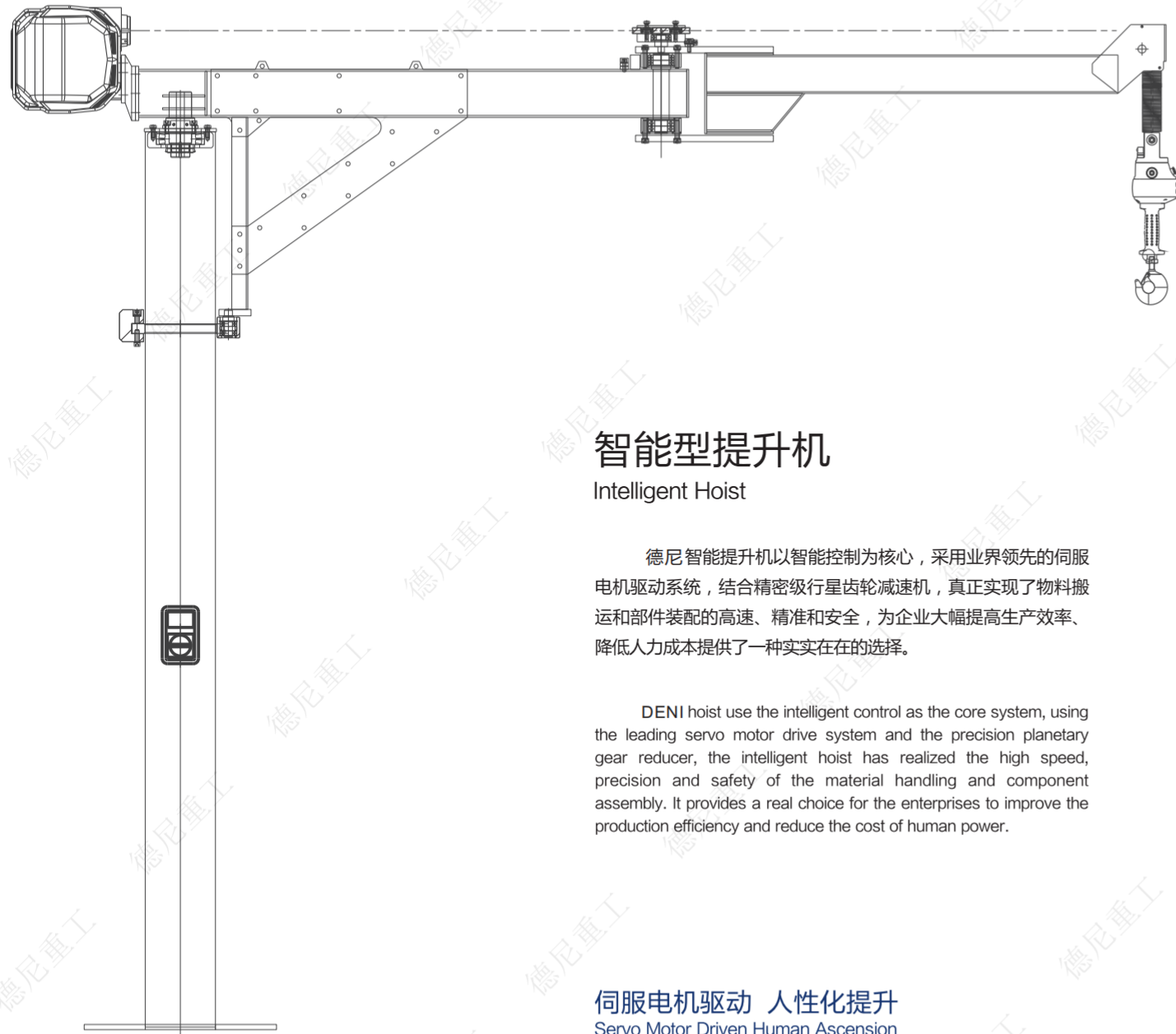
人体工程把手

把手外形完全符合人体工程学，使操作人员使用时更加舒适。

Human body engineering handle

The shape of the handle is in full compliance with the human body engineering which makes the operators more comfortable to use.





智能型提升机

Intelligent Hoist

德尼智能提升机以智能控制为核心，采用业界领先的伺服电机驱动系统，结合精密级行星齿轮减速机，真正实现了物料搬运和部件装配的高速、精准和安全，为企业大幅提高生产效率、降低人力成本提供了一种实实在在的选择。

DENI hoist use the intelligent control as the core system, using the leading servo motor drive system and the precision planetary gear reducer, the intelligent hoist has realized the high speed, precision and safety of the material handling and component assembly. It provides a real choice for the enterprises to improve the production efficiency and reduce the cost of human power.

伺服电机驱动 人性化提升 Servo Motor Driven Human Ascension

i32系列技术规格

i32 Series Technical Specifications

型号 Model	i32-80	i32-160	i32-320	i32-600
最大起重量 Maximum lifting weight	80KG	160KG	320KG	600KG
最大提升速度 Maximum lifting speed	0-60米/分 (m/min)	0-30米/分 (m/min)	0-15米/分 (m/min)	0-7.5米/分 (m/min)
标准提升行程 Standards rise stroke	0-2.5米 (m)	0-2.5米 (m)	0-2.5米 (m)	0-2.5米 (m)
电机功率 Motor power	750W	750W	1200W	1200W
电压 Voltage	1PH,220V,50HZ	1PH,220V,50HZ	1PH,220V,50HZ	1PH,220V,50HZ

型号 Model	i 32
主电源电压 (VAC) Max main power supply voltage (VAC)	220V +/-10%(maximum)
最大电流 (安培) Max current (An Pei)	10
负载循环等级 Load cycle level	H5
运行温度范围 Operating temperature range	-10~50°C
运行湿度范围 Operating humidity range	35-90%

JIB CRANE

悬臂吊

起重量: 0.125-10T
旋转角度: 180° , 270° , 360°
工作级别: A3, A4, A5, A6
安装简易, 移装轻便, 小空间操作

产品介绍:

电动悬臂吊式旋转采用电动旋转, 这样省力、快捷、效率实现产品定位。为了某种工序以及灵活性, 悬臂吊的臂可以采用工字钢形式或KBK轨道形式。安装悬臂吊的地面一般为混凝土C20结构, 在1T和臂长超过3米, 我们一般都采用预埋件方式连接。悬臂起重机提供了对圆形工作区域内良好的工作覆盖, 并支持工具平衡器、气动平衡器、真空提升工具和葫芦等, 具有高效、节能、省事、占地面积小, 易于操作与维修等特点。尤其适用于短距离, 使用频繁, 密集性吊运作业, 它可被安装在任何你能想到的场合, 是一种实用的轻型工位吊装设备。

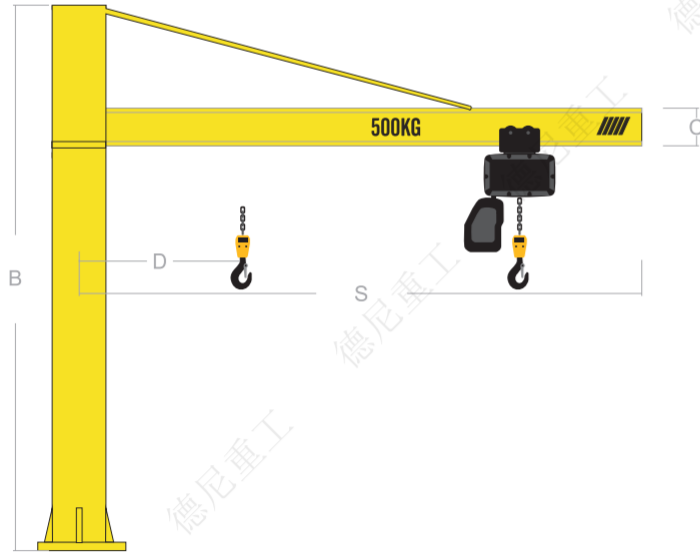
Elevating capacity: 0.125-10T
Rotation angle: 180° , 270° , 360°
Working classification: A3, A4, A5, A6
Advantage: easy to install and remove, available in small space operation

Rotated by electricity, it can carry out product positioning easily, instantly and high-efficiently. The girders of it can adopt I-beam steel type or KBK rail type for certain process and flexibility in its use. The ground on which it is to be installed normally adopts C20 concrete structure. We usually adopt pre-embedded connection where the length of 1T and the boom exceed 3 meters. It provides good working coverage in the round working area and supports tool balancer, pneumatic balancer, vacuum lifting tools and hoist. It is characterized by high-efficiency, energy economy, trouble-free, small floor space and easy to operate and maintenance. Especially suitable for short-distance, frequent-use and intensive lifting work, it may be installed wherever you can think of; therefore, it is very useful lightweight lifting equipment.



LCJ立柱式悬臂吊

LCJ Column Jib Crane

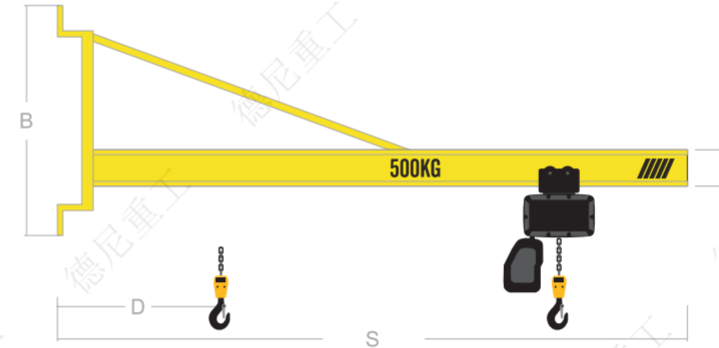


▲ 最大起重量：10,000kg The Max Weight：10,000kg
回转方式：手动或电动 Rotary By：Manually or Motorized

起重量 Capacity (S.W.L) (kg)	臂长 (S) (mm)	总高 (B) (mm)	臂宽 (C) (mm)	钩边距 (D) (mm)	净重 (Net Weight) (kg)
125	2000	3230	91	150	215
125	4000	3230	91	150	250
125	6000	3290	120	150	470
125	8000	3350	150	150	660
250	2000	3240	55	160	215
250	4000	3240	64	160	250
250	6000	3240	100	200	470
500	2000	3240	64	160	220
500	4000	3240	82	160	360
500	6000	3710	120	250	660
1000	2000	3240	82	160	320
1000	4000	3240	100	200	410
1000	6000	3710	120	250	720
2000	2000	3710	120	250	500
2000	2500	3710	120	250	515
2500	2000	3410	170	300	560
2500	4000	3500	190	300	1120
2500	6000	3550	200	300	1580
2500	8000	3650	220	300	2240
3200	2000	3410	170	300	590
3200	4000	3500	190	300	1280
3200	6000	3600	210	300	1700
4000	2000	3500	190	300	950
4000	4000	3550	200	300	1400
4000	6000	3650	220	300	2000
5000	2000	3440	300	300	1300
5000	4000	3440	300	300	1800
5000	5000	3490	300	300	2100

LWJ墙式悬臂吊

LWJ Wall Mounted Jib Crane

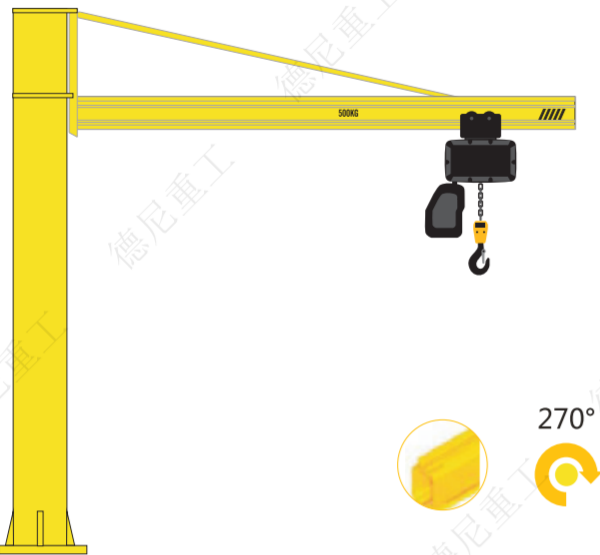


▲ 最大起重量：5,000kg The Max Weight：5,000kg
回转方式：手动或电动 Rotary By：Manually or Motorized

起重量 Capacity (S.W.L) (kg)	臂长 (S) (mm)	总高 (B) (mm)	臂宽 (C) (mm)	钩边距 (D) (mm)	净重 (Net Weight) (kg)
125	2000	940	55	160	60
125	4000	940	64	160	95
125	6000	940	82	160	160
250	2000	940	55	160	60
250	4000	940	64	160	95
250	6000	940	100	200	230
500	2000	940	64	160	70
500	4000	940	82	160	120
500	6000	1430	120	250	365
1000	2000	940	82	160	80
1000	4000	940	100	200	170
1000	5000	1430	120	250	320
1600	2000	1430	120	250	205
1600	3000	1430	120	250	240
2000	2000	1430	120	250	205

LCJ-S柔性梁立柱式悬臂吊

LCJ-S Flexible Girder Column Jib Crane

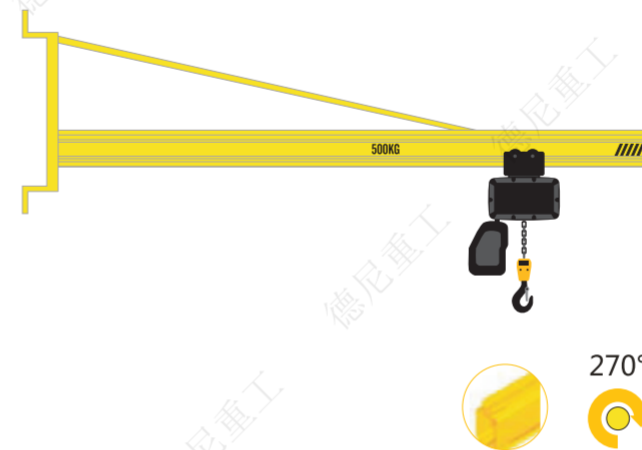


▲ 最大起重量：2,000kg The Max Weight：2,000kg
回转方式：手动或电动 Rotary By：Manually or Motorized

起重量 Capacity (S.W.L) (kg)	臂长 (S) (mm)	总高 (B) (mm)	型材 (Profile Type)	钩边距 (D) (mm)	净重 (Net Weight) (kg)
125	2000	3300	UKA20	90	209
125	4000	3300	UKA20	90	253
125	6000	3300	UKA30	110	436
125	8000	3300	UKA30	110	547
250	2000	3300	UKA20	90	209
250	4000	3300	UKA30	110	326
250	6000	3300	UKA30	110	496
250	8000	3700	UKA40	110	749
500	2000	3300	UKA30	110	262
500	4000	3300	UKA30	110	411
500	6000	3700	UKA40	110	695
500	8000	3700	UKA40	110	909
1000	2000	3300	UKA30	110	372
1000	4000	3700	UKA30	110	597
1000	6000	4100	UKA40	110	830
1600	2000	3700	UKA40	235	516
1600	4000	4100	UKA40	235	722
2000	2000	3700	UKA40	235	536
2000	3000	4100	UKA40	235	659

LWJ-S墙式悬臂吊

LWJ-S Wall Mounted Jib Crane

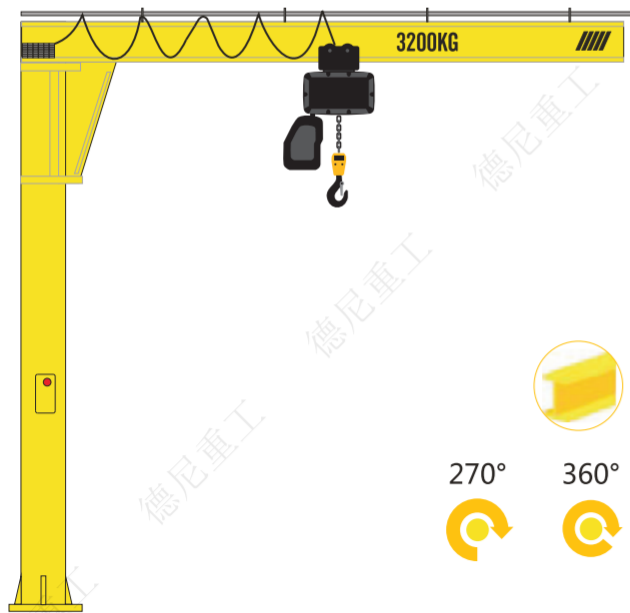


▲ 最大起重量：2,000kg The Max Weight：2,000kg
回转方式：手动或电动 Rotary By：Manually or Motorized

起重量 Capacity (S.W.L) (kg)	臂长 (S) (mm)	总高 (B) (mm)	型材 (Profile Type)	钩边距 (D) (mm)	净重 (Net Weight) (kg)
125	2000	960	UKA20	90	60
125	4000	960	UKA20	90	88
125	6000	960	UKA30	110	201
125	8000	960	UKA30	110	252
250	2000	960	UKA20	90	60
250	4000	960	UKA30	110	151
250	6000	960	UKA30	110	201
250	8000	1410	UKA40	110	439
500	2000	960	UKA30	110	102
500	4000	960	UKA30	110	151
500	6000	1410	UKA40	110	360
500	8000	1410	UKA40	110	439
1000	2000	960	UKA30	110	102
1000	4000	1410	UKA30	110	282
1000	6000	1800	UKA40	110	360
1600	2000	1410	UKA40	235	206
1600	4000	1800	UKA40	235	282
2000	2000	1410	UKA40	235	206
2000	3000	1800	UKA40	235	244

LCJ-D立柱式悬臂吊

LCJ-D Column Jib Cranes



▲ 最大起重量：10,000kg
回转方式：手动或电动

The Max Weight : 10,000kg
Rotary By : Manually or Motorized

起重量 Capacity (S.W.L) (kg)	臂长 (S) (mm)	总高 (B) (mm)	臂宽 (C) (mm)	钩边距 (D) (mm)	净重 (Net Weight) (kg)
250	2000	3550	91	250	305
250	4000	3610	120	250	455
250	6000	3610	120	250	645
250	8000	3670	150	250	890
500	2000	3550	91	250	305
500	4000	3240	120	250	565
500	6000	3240	150	250	835
500	8000	3240	170	250	1265
1000	2000	3610	120	250	485
1000	4000	3670	250	250	730
1000	6000	3730	170	250	1130
1000	8000	3820	190	250	1790
2000	2000	3670	150	250	580
2000	4000	3730	170	250	990
2000	6000	3870	200	250	1690
3200	2000	3730	170	420	855
3200	4000	3820	190	420	1470
3200	6000	3870	210	420	1540
4000	2000	3820	190	420	915
4000	4000	3870	200	420	1540
4000	5000	3920	210	420	1990
5000	2000	3820	300	420	1370
5000	4000	3870	300	420	2255
5000	5000	3920	300	420	2580
6300	2000	3860	300	420	1465
6300	4000	3860	300	420	2255
6300	5000	3910	300	420	2890
8000	2000	3860	300	600	1530
8000	4000	3910	300	600	2700
8000	5000	3960	300	600	3200
10000	2000	3860	300	600	1905
10000	4000	3960	300	600	3000
10000	5000	4010	300	600	3480

LMJ移动立柱式悬臂吊

LMJ Mobile Jib Cranes



▲ 最大起重量：2,000kg
The Max Weight : 2,000kg
回转方式：手动或电动
Rotary By : Manually or Motorized

起重量 Capacity (S.W.L) (kg)	臂长 (S) (mm)	总高 (B) (mm)	臂宽 (C) (mm)	钩边距 (D) (mm)	净重 (Net Weight) (kg)	底座尺寸 (G*G) (mm)
125	2000	3800	64	150	1255	1200x1200
125	4000	3800	64	150	2373	1200X1200
125	5000	3800	82	150	2846	1450X1450
125	6000	3800	82	150	4570	1450X1450
250	2000	3800	64	150	1797	1200X1200
250	3000	3800	64	150	2898	1200X1200
250	4000	3800	64	150	3634	1450X1450
250	5000	3800	82	150	3697	1450X1450
500	2000	3800	64	150	2744	1450X1450
500	2500	3800	64	150	3606	1450X1450
500	3000	3800	64	150	4494	1450X1450

LMJ-D移动立柱式悬臂吊

LMJ-D Mobile Jib Cranes



▲ 最大起重量：2,000kg
The Max Weight : 2,000kg
回转方式：手动或电动
Rotary By : Manually or Motorized

起重量 Capacity (S.W.L) (kg)	臂长 (S) (mm)	总高 (B) (mm)	臂宽 (C) (mm)	钩边距 (D) (mm)	净重 (Net Weight) (kg)	底座尺寸 (G*G) (mm)
125	2000	3240	91	150	1270	1200x1200
125	4000	3240	91	150	1821	1200X1200
125	5000	3260	100	150	2870	1450X1450
125	6000	3300	120	150	4717	1450X1450
250	2000	3240	91	150	1812	1200X1200
250	3000	3240	91	150	2928	1200X1200
250	4000	3240	91	150	3637	1450X1450
250	5000	3300	120	150	3836	1450X1450
500	2000	3240	91	150	2768	1450X1450
500	2500	3240	91	150	3624	1450X1450
500	3000	3300	120	150	4623	1450X1450

LWJ-D墙式悬臂吊

LWJ-D Wall Mounted Jib Cranes



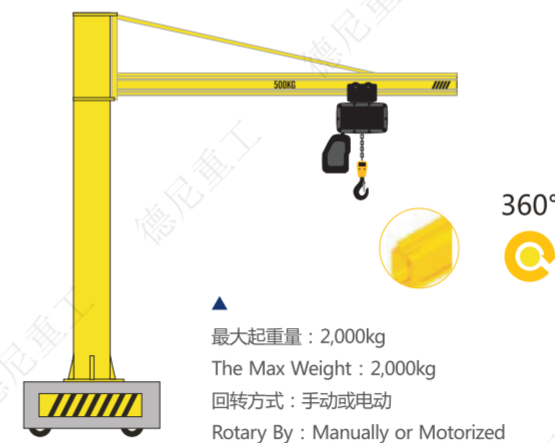
▲ 最大起重量：5,000kg
回转方式：手动或电动

The Max Weight : 5,000kg
Rotary By : Manually or Motorized

起重量 Capacity (S.W.L) (kg)	臂长 (S) (mm)	总高 (B) (mm)	型材 (Profile Type)	钩边距 (D) (mm)	净重 (Net Weight) (kg)
125	2000	3300	UKA20	90	209
125	4000	3300	UKA20	90	253
125	6000	3300	UKA30	110	436
125	8000	3300	UKA30	110	547
250	2000	3300	UKA20	90	209
250	4000	3300	UKA30	110	326
250	6000	3300	UKA30	110	496
250	8000	3700	UKA40	110	749
500	2000	3300	UKA30	110	262
500	4000	3300	UKA30	110	411
500	6000	3700	UKA40	110	695
500	8000	3700	UKA40	110	909
1000	2000	3300	UKA30	110	372
1000	4000	3700	UKA30	110	597
1000	6000	4100	UKA40	110	830
1600	2000	3700	UKA40	235	516
1600	4000	4100	UKA40	235	722
2000	2000	3700	UKA40	235	536
2000	3000	4100	UKA40	235	659

LMJ-S移动立柱式悬臂吊

LMJ-S Mobile Jib Cranes

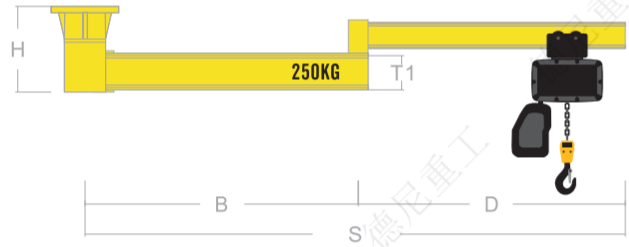


▲ 最大起重量：2,000kg
The Max Weight : 2,000kg
回转方式：手动或电动
Rotary By : Manually or Motorized

起重量 Capacity (S.W.L) (kg)	臂长 (S) (mm)	总高 (B) (mm)	型材 (Profile Type) (mm)	钩边距 (D) (mm)	净重 (Net Weight) (kg)	底座尺寸 (G*G) (mm)
125	2000	3800	UKA20	90	1250	1200x1200
125	4000	3800	UKA20	90	2410	1200X1200
125	5000	3800	UKA30	110	2830	1450X1450
125	6000	3800	UKA30	110	4690	1450X1450
250	2000	3800	UKA20	90	1850	1200X1200
250	3000	3800	UKA30	90	2950	1200X1200
250	4000	3800	UKA30	110	3690	1450X1450
250	5000	3800	UKA30	110	3790	1450X1450
500	2000	3800	UKA30	110	2790	1450X1450
500	2500	3800	UKA30	110	3660	1450X1450
500	3000	3800	UKA30	110	4530	1450X1450

LRJ-C悬臂吊

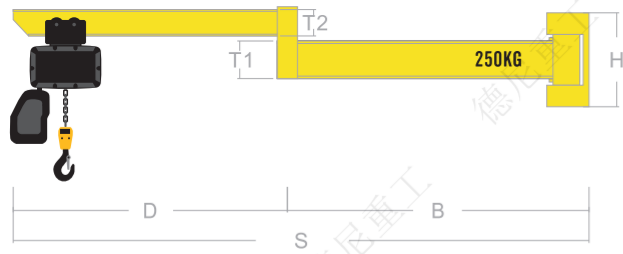
LRJ-C Jib Cranes



起重量 Capacity (S.W.L) (kg)	臂长 (S) (mm)	第一臂长 (B) (mm)	第二臂长 (D) (mm)	第一臂宽 (T1) (mm)	第二臂宽 (T2) (mm)	总高 (H) (mm)
50	5000	2700	2300	140	100	400
80	4000	2200	1800	140	100	400
125	3000	1700	1300	140	100	400
125	5000	2700	2300	250	140	611
250	2000	1200	800	140	100	400
250	4000	2200	1800	250	140	611
500	3000	1700	1300	250	140	611
1000	2000	1200	800	250	140	611

LRJ-W悬臂吊

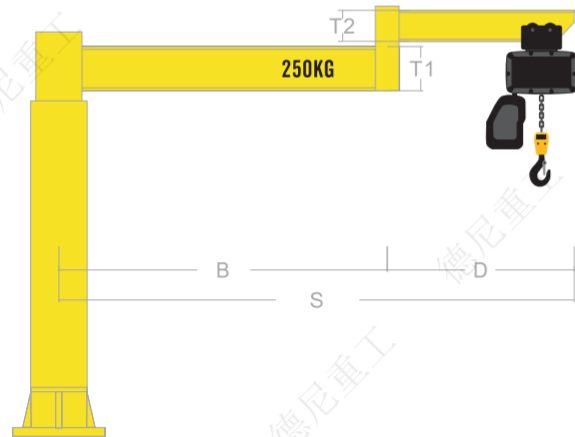
LRJ-W Jib Cranes



起重量 Capacity (S.W.L) (kg)	臂长 (S) (mm)	第一臂长 (B) (mm)	第二臂长 (D) (mm)	第一臂宽 (T1) (mm)	第二臂宽 (T2) (mm)	总高 (H) (mm)
50	5000	2700	2300	140	100	720
80	4000	2200	1800	140	100	720
125	3000	1700	1300	140	100	720
125	5000	2700	2300	250	140	948
250	2000	1200	800	140	100	720
250	4000	2200	1800	250	140	948
500	3000	1700	1300	250	140	948
1000	2000	1200	800	250	140	948

LRJ悬臂吊

LRJ Jib Cranes



起重量 Capacity (S.W.L) (kg)	臂长 (S) (mm)	第一臂长 (B) (mm)	第二臂长 (D) (mm)	第一臂宽 (T1) (mm)	第二臂宽 (T2) (mm)	总高 (H) (mm)
50	5000	2700	2300	140	100	
80	4000	2200	1800	140	100	
125	3000	1700	1300	140	100	
125	5000	2700	2300	250	140	
250	2000	1200	800	140	100	
250	4000	2200	1800	250	140	
500	3000	1700	1300	250	140	
1000	2000	1200	800	250	140	

更多参数及非标产品请联系德尼重工
Contact DENI For more parameters and non-standard products

Shell: It is made of light aluminum alloy shell, light but hard. The cooling fin is especially designed to ensure quick heat dissipation with the rate up to 40% and continuous service. The integral enclosed structure is applicable to places like chemical plant and electroplate factory.

外壳: 铝合金外壳, 坚实而质轻。有特殊散热片, 散热快, 可连续使用, 效率达40%。整体封闭式结构, 可使用在化工厂、电镀厂等地方。

Side magnetic braking device: The magnetic orce generator is the latest design which is featured for generating magnetic force. It allows instant brake as soon as the electric power is cut off. Thus the braking safety while loading is guaranteed.

旁磁刹车: 最新设计的磁力产生器, 其特性为产磁。可在电源切断的同时刹车, 保证吊重时刹车绝对确保安全。

Limit switch: The limit switch device is installed where the weight is lifted on and off to make the motor to stop automatically so as to prohibit the chains from exceeding for safety.

极限开关: 吊上吊下都有极限开关装置, 使自动停止, 防止链条超出, 确保安全。

Chain: The chain shall adopt the imported FEC G80 ultra heat-treatable aluminum alloy chain. It can be safely used in poor environments such as rain, sea water and chemicals.

链条: 采用进口 FEC G80 超级加热处理合金钢链条。在雨水、海水、化学品及其他恶劣状况下使用安全无虑。

Hook: It is hot forging with perfect strength that is hard to break. The operation safety of the lower hook is ensured by its 360 degrees rotation and safety flap.

吊钩: 经热锻造, 强度绝佳, 不易断裂。下吊钩可360° 旋转, 附安全舌片, 确保操作安全。

Support frame: The loading support frame consists of two steel plates, which is extremely sturdy.

支撑架: 吊重支撑架由两片钢板组合, 非常坚固。

Transformer: 24V/36V transformer device. This device is used to prohibit unexpected accidents caused by electric leakage and guarantees the safe use while raining.

变压器: 24V/36V 变压装置。操作时, 万一漏电, 可防止意外事故发生, 下雨时, 可保证安全使用。

Electromagnetic contactor: Electromagnetic contactor can be used safely under high frequency.

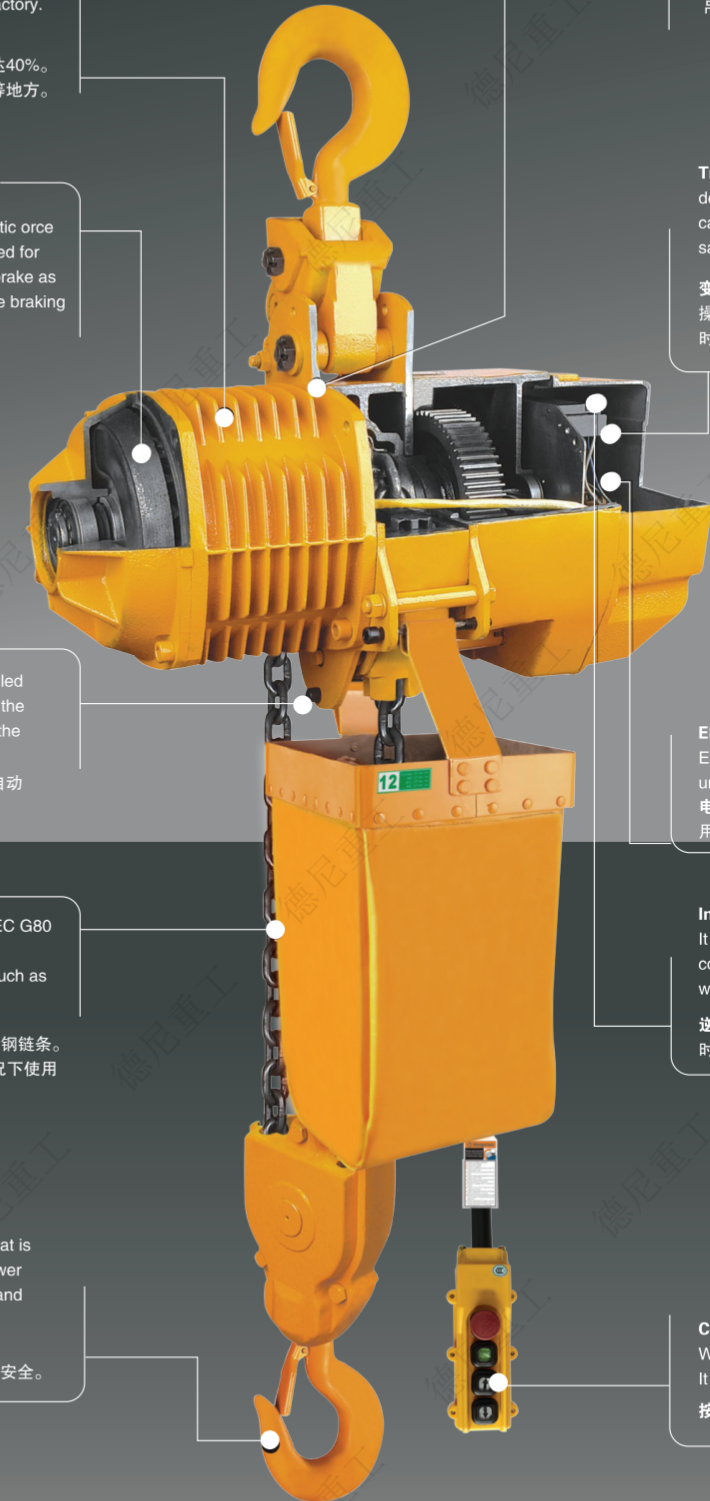
电磁接触器: 高效率电磁接触器。可高频率使用, 没有问题。

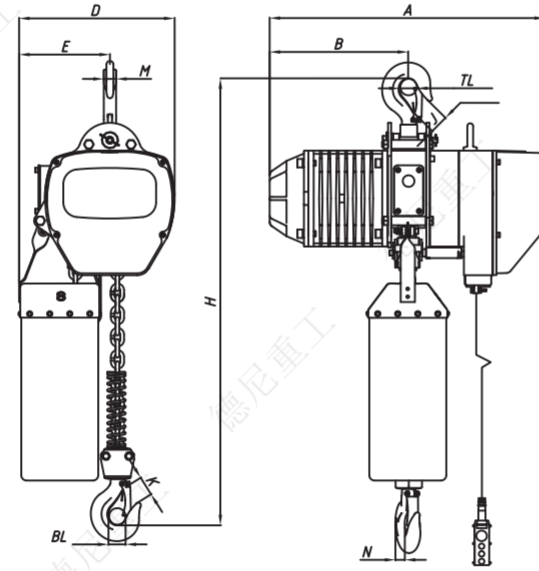
Inverse phases sequence protecting device: It is the special electrical installation which controls the circuit not to work in case of wiring error in the power supply.

逆相保护装置: 特殊电气装置, 当电源接线错误时, 控制电路无法动作。

Control switch: Waterproof push button is applied. It is light and durable.

按钮开关: 使用防水按钮开关, 轻便耐用。





外壳:

外壳轻巧而坚固，散热率高，全密封性设计适合在作业条件较差的环境中使用。

逆相保护装置:

为特殊电器装置，当电源接线错误时，控制电路无法工作。

极限开关:

重物吊上吊下都有极限开关装置，使电机自动停止，以防链条超出，确保安全。

24V/36V装置:

此装置可以实现电源切断时瞬间刹车。

链条袋:

轻巧、美观、耐用。

链条:

采用进口FEC G80超热处理合金链条。

Shell:

Light aluminum alloy shell be adopted, which is light but hard and fit for the use in the terrible work environment with a high heat dissipation rate and tightness design.

Inverse phase sequence protecting device:

It is the special electrical installation which controls the circuit not to work in case of wiring error in the power supply.

Limit switch:

The limit switch device is installed where the weight is lifted on and off to make the motor to stop automatically so as to prohibit the chains from exceeding for safety.

24V/36V device:

It is used to prohibit the emergencies from occurring in case of the leakage in the switch.

Side magnetic braking device:

This device shall realize the instant brake in case of the power dump.

Chain bag:

It shall be light, handsome and durable.

Chain:

The chain shall adopt the imported FEC G80 ultra heat-treatable aluminum alloy chain.

FH2单速挂钩式 (0.5-5t)

Single speed with hook Suspension

Capacity 额定载荷 (t)	Product Code 型号	Standard Lift Height 标准 起升高度 (m)	Lifting Motor 起升电机			Load Chain 载重链 Diameter x Falls 载重链直径 x 回数 (mm)	Voltage 电压 (v)	Test Load 实验载荷 (t)	Net Weight 净重 (kg)
			Lifting Speed 起升速度(m/min)		Output 输出功率 (kW)				
			50Hz	60Hz					
500kg	FH2 0.5-01SS	3	7.2	8.6	0.75	Φ6.3 x 1	3 (Phase)	750kg	42
1000kg	FH2 01-01SS		6.8	8.2	1.5			Φ7.1 x 1	1250kg
	FH2 01-02SS		3.6	4.3	0.75	Φ6.3 x 2	49		
2000kg	FH2 02-01SS		6.6	7.9	3.0	Φ10.0 x 1	220-440 (V)	2500kg	109
	FH2 02-02SS		3.4	4.1	1.5	Φ7.1 x 2			68
3000kg	FH2 03-01SS		5.4	6.5	3.0	Φ11.2 x 1	50/60 (Hz)	3750kg	113
	FH2 03-02SS		3.4	4.1		Φ10.0 x 2			129
	FH2 03-03SS		2.3	2.7	1.5	Φ7.1 x 3			90
5000kg	FH2 05-02SS		2.7	3.2	3.0	Φ11.2 x 2		6250kg	138

Capacity 额定载荷 (t)	Product Code 型号	H	A	B	D	E	TL	J	BL	K	M	N	R	T
500kg	FH2 0.5-01SS	550	460	230	280	160	Φ35	25	Φ35	25	17	17		
1000kg	FH2 01-01SS	650	520	260	300	176	Φ40	31	Φ40	31	22	22		
	FH2 01-02SS	670	460	230	280	205								
2000kg	FH2 02-01SS	800	615	295	430	265	Φ47	40	Φ47	38	30	30		
	FH2 02-02SS	835	520	260	300	236							/	/
3000kg	FH2 03-01SS	845	615	295	430	265	Φ58	47	Φ58	47	36	36		
	FH2 03-02SS	950				320								
	FH2 03-03SS	1000	520	260	350	205								
5000kg	FH2 05-02SS	1030	615	295	430	325	Φ60	48	Φ60	48	43	43		

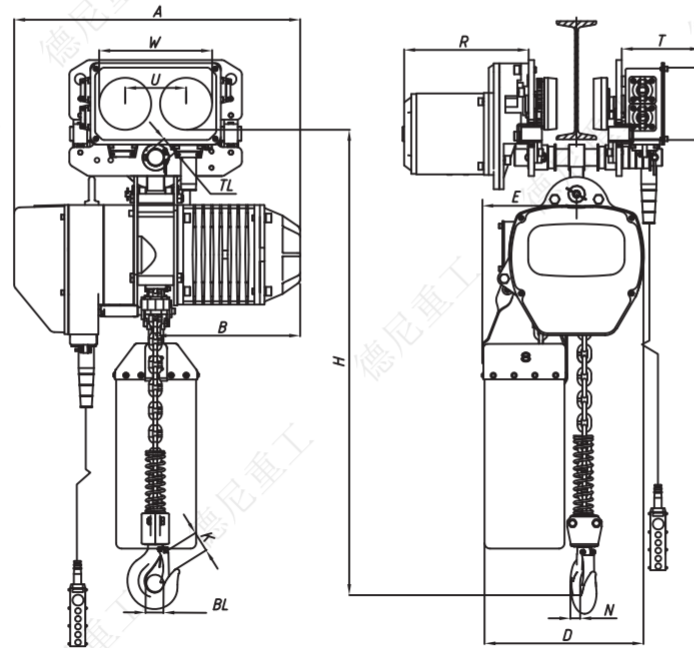
FH2双速挂钩式 (0.5-5t)

Dual speed with hook Suspension

Capacity 额定载荷 (t)	Product Code 型号	Standard Lift Height 标准 起升高度 (m)	Lifting Motor 起升电机			Load Chain 载重链 Diameter x Falls 载重链直径 x 回数 (mm)	Voltage 电压 (v)	Test Load 实验载荷 (t)	Net Weight 净重 (kg)
			Lifting Speed 起升速度(m/min)		Output 输出功率 (kW)				
			50Hz	60Hz					
500kg	FH2 0.5-01DS	3	7.2/2.4	8.6/2.9	0.75/0.25	Φ6.3 x 1	3 (Phase)	750kg	52
1000kg	FH2 01-01DS		6.8/2.3	8.2/2.7	1.5/0.5			Φ7.1 x 1	1250kg
	FH2 01-02DS		3.6/1.2	4.3/1.4	0.75/0.25	Φ6.3 x 2	59		
2000kg	FH2 02-01DS		6.6/2.2	7.9/2.6	3.0/1.0	Φ10.0 x 1	220-440 (V)	2500kg	129
	FH2 02-02DS		3.4/1.2	4.1/1.4	1.5/0.5	Φ7.1 x 2			78
3000kg	FH2 03-01DS		5.4/1.8	6.5/2.2	3.0/1.0	Φ11.2 x 1	50/60 (Hz)	3750kg	133
	FH2 03-02DS		3.4/1.2	4.1/1.4		Φ10.0 x 2			149
	FH2 03-03DS		2.3/0.8	2.7/0.92	1.5/0.5	Φ7.1 x 3			100
5000kg	FH2 05-02DS		2.7/0.9	3.2/1.1	3.0/1.0	Φ11.2 x 2		6250kg	158

Capacity 额定载荷 (t)	Product Code 型号	H	A	B	D	E	TL	J	BL	K	M	N	R	T
500kg	FH2 0.5-01DS	550	545	260	280	160	Φ35	25	Φ35	25	17	17		
1000kg	FH2 01-01DS	650	582	280	300	176	Φ40	31	Φ40	31	22	22		
	FH2 01-02DS	670	545	260	280	205								
2000kg	FH2 02-01DS	800	670	313	430	265	Φ47	40	Φ47	38	30	30		
	FH2 02-02DS	835	582	280	300	236							/	/
3000kg	FH2 03-01DS	845	670	313	430	265	Φ58	47	Φ58	47	36	36		
	FH2 03-02DS	950				320								
	FH2 03-03DS	1000	582	280	350	205								
5000kg	FH2 05-02DS	1030	670	313	430	325	Φ60	48	Φ60	48	43	43		

更多参数及非标产品请联系德尼重工
Contact DENI For more parameters and non-standard products



●本机采用高强度铝合金机体，外形美观，机体紧凑，体积小，重量轻。采用二级齿轮传动，高速级为斜齿轮传动。因而传动平稳，噪音小。

●零部件强度高

●本机主要零部件均采用高合金钢材料，并且经过独到特殊处理工艺加工，具有强度高，耐磨性好等特点，上下吊钩采用高强度合金钢制作，经强化热处理后具有很高韧性，即使机体因超载引起破坏，吊钩也只会塑性变形，不会发生脆性断裂。

●Our Hoist is made of high-strength alloy, consists of beautiful appearance, compact mechanism, small in size and light weight. And we use double-gear drive, helical gear drive when it works under fast speed, so that the hoists can drive smoothly with low noise

●The Components and parts of our hoists in high-strength as well

●The high-strength alloy on the components and parts is going through multiple special technology for heating processing, so that it is high-strength and good abrasion performance; the up and bottom hooks of our hoists are made of high-strength alloy too, which is good in ductility cause of strengthen heating processing, it means even the hoist is damaged by overload, the hook will only be plastic distorted and never be brittle fractured.

FH2单速带电动小车式 (0.5-5t)

Single speed with Motorized trolley

Capacity 额定载荷 (t)	Product Code 型号	Standard Lift Height 标准 起升高度 (m)	Lifting Motor 起升电机			Travelling Motor 运行电机			Load Chain 载重链 Diameter x Falls 载重链直径 x 回数 (mm)	Flange Width 工字钢 (mm)	Voltage 电压 (v)	Test Load 实验载荷 (t)	Net Weight 净重 (kg)
			Lifting Speed 起升速度(m/min)		Output 输出功率 (kW)	Traversing Speed 运行速度(m/min)		Output 输出功率 (kW)					
			50Hz	60Hz		50Hz	60Hz						
500kg	FH2 0.5-01SM		7.2	8.6	0.75				Φ6.3 x 1	70-130		750kg	83
1000kg	FH2 01-01SM		6.8	8.2	1.5				Φ7.1 x 1	80-160	3 (Phase)	1250kg	100
	FH2 01-02SM		3.6	4.3	0.75				Φ6.3 x 2				
2000kg	FH2 02-01SM	3	6.6	7.9	3.0	20 (10)	24 (12)	0.4	Φ10.0 x 1	82-178	220-440 (V)	2500kg	158
	FH2 02-02SM		3.4	4.1	1.5				Φ7.1 x 2				
3000kg	FH2 03-01SM		5.4	6.5	3.0				Φ11.2 x 1	100-180	50/60 (Hz)	3750kg	174
	FH2 03-02SM		3.4	4.1				Φ10.0 x 2					
	FH2 03-03SM		2.3	2.7	1.5			Φ7.1 x 3					
5000kg	FH2 05-02SM		2.7	3.2	3.0			0.75	Φ11.2 x 2	110-180		6250kg	220

Capacity 额定载荷 (t)	Product Code 型号	H	A	B	D	E	TL	BL	K	N	W	U	R	T
500kg	FH2 0.5-01SM	630	460	230	280	160	Φ35	Φ35	25	17	162	100		150
1000kg	FH2 01-01SM	650	520	260	300	176	Φ40	Φ40	31	22	206	111		231
	FH2 01-02SM	695	460	230	280	205					206	111	230	
2000kg	FH2 02-01SM	770	615	295	430	265	Φ47	Φ47	38	30	237	127	142	
	FH2 02-02SM	815	520	260	300	236								
3000kg	FH2 03-01SM	830	615	295	430	265	Φ58	Φ58	47	36	265	140		231
	FH2 03-02SM	930				320								
	FH2 03-03SM	940				205								
5000kg	FH2 05-02SM	1015	615	295	430	325	Φ60	Φ60	48	43	296	156		

FH2双速带电动小车式 (0.5-5t)

Dual speed with Motorized trolley

Capacity 额定载荷 (t)	Product Code 型号	Standard Lift Height 标准 起升高度 (m)	Lifting Motor 起升电机			Travelling Motor 运行电机			Load Chain 载重链 Diameter x Falls 载重链直径 x 回数 (mm)	Flange Width 工字钢 (mm)	Voltage 电压 (v)	Test Load 实验载荷 (t)	Net Weight 净重 (kg)
			Lifting Speed 起升速度(m/min)		Output 输出功率 (kW)	Traversing Speed 运行速度(m/min)		Output 输出功率 (kW)					
			50Hz	60Hz		50Hz	60Hz						
500kg	FH2 0.5-01DM		7.2/2.4	8.6/2.9	0.75/0.25				Φ6.3 x 1	70-130		750kg	93
1000kg	FH2 01-01DM		6.8/2.3	8.2/2.8	1.5/0.5				Φ7.1 x 1	80-160	3 (Phase)	1250kg	110
	FH2 01-02DM		3.6/1.2	4.3/1.4	0.75/0.25				Φ6.3 x 2				
2000kg	FH2 02-01DM	3	6.6/2.2	7.9/2.6	3.0/1.0	20 (10)	24 (12)	0.4	Φ10.0 x 1	82-178	220-440 (V)	2500kg	178
	FH2 02-02DM		3.4/1.2	4.1/1.4	1.5/0.5				Φ7.1 x 2				
3000kg	FH2 03-01DM		5.4/1.8	6.75/2.3	3.0/1.0				Φ11.2 x 1	100-180	50/60 (Hz)	3750kg	194
	FH2 03-02DM		3.4/1.2	4.1/1.4				Φ10.0 x 2					
	FH2 03-03DM		2.3/0.8	2.7/0.92	1.5/0.5			Φ7.1 x 3					
5000kg	FH2 05-02DM		2.7/0.9	3.2/1.1	3.0/1.0			0.75	Φ11.2 x 2	110-180		6250kg	240

Capacity 额定载荷 (t)	Product Code 型号	H	A	B	D	E	TL	BL	K	N	W	U	R	T
500kg	FH2 0.5-01DM	630	545	260	280	160	Φ35	Φ35	25	17	160	100		150
1000kg	FH2 01-01DM	650	582	280	300	176	Φ40	Φ40	31	22	206	111		231
	FH2 01-02DM	695	545	260	280	205					206	111	230	
2000kg	FH2 02-01DM	770	670	313	430	265	Φ47	Φ47	38	30	237	127	142	
	FH2 02-02DM	815	582	280	300	236								
3000kg	FH2 03-01DM	830	670	313	430	265	Φ58	Φ58	47	36	265	140		231
	FH2 03-02DM	930				320								
	FH2 03-03DM	940				205								
5000kg	FH2 05-02DM	1015	670	313	430	325	Φ60	Φ60	48	43	296	156		

更多参数及非标产品请联系德尼重工
Contact DENI For more parameters and non-standard products

KBK 单梁和双梁悬挂式起重机

1、钢结构承载架构

通用悬臂支撑件

- 也可用于车间房顶和屋顶结构无法承载之处的承载系统
- 规划和结构高度灵活
- 安装特别便捷

1、STEEL SUPPORT SUPERSTRUCTURE

Cantilever supports for universal applications:

- Support system can also be used wherever workshop ceilings and roof structures cannot bear loads
- High flexibility for planning and configuration
- Particularly easy assembly

2、拖拽电缆

可靠的动力传输:

- 高度灵活且耐用的扁电缆

3、型材

KBK型材提供宽泛、智能分级的选择，大的设计回旋余地:

- 9种KBK钢轨型材，6个型号大小
- 6种KBK铝轨型材，4个型号大小

KBK型材坚固耐用，防腐蚀、耐冲击。KBK模块化系统可在一台设备内组合多种轨道。

3、PROFILE SECTIONS

Freedom for planning with a broad range of KBK profile sections to meet differing needs:

- 9 KBK steel profile sections in 6 sizes
- 6 KBK aluminium profile sections in 4 sizes

KBK profile sections are tough and highly resistant to corrosion and impacts. The modular KBK system allows different profile sections to be combined in one

KBK SINGLE AND DOUBLE-GIRDER SUSPENSION CRANES

4、内置滑触线

通过带内置滑触线的轨道进行安全又节省空间的能量传输

- 额外改善了净空尺寸
- 无电缆的设计免去碰撞危险(如与叉车)
- 无需外部额外安装馈电，使安装时间和费用最小化

4、INTEGRATED CONDUCTOR LINE

Safe and space-saving power supply via profile sections with integrated conductor line:

- Additional headroom gain
- No risk of collisions (e.g. with forklifts) thanks to lack of cables
- Additional external power supply fittings not required, which minimises assembly times and costs

5、KBK小车

小车能在整个使用寿命期间顺畅运行，并确保最小的滚动阻力

- 配备滚动轴承、持久润滑的尼龙行走轮降低了噪音，使运行安静顺畅。
- 极为有效的缓冲作用使滚轮免保养
- 自重轻，设计紧凑。

5、KBK TROLLEYS

Excellent smooth-running performance and minimum rolling resistance over their entire service life:

- Quiet and smooth operation thanks to plastic wheels that are mounted in anti-friction bearings and lubricated for life
- Maintenance-free travel wheels with effective shock absorption
- Compact design with low deadweight

6、行走驱动

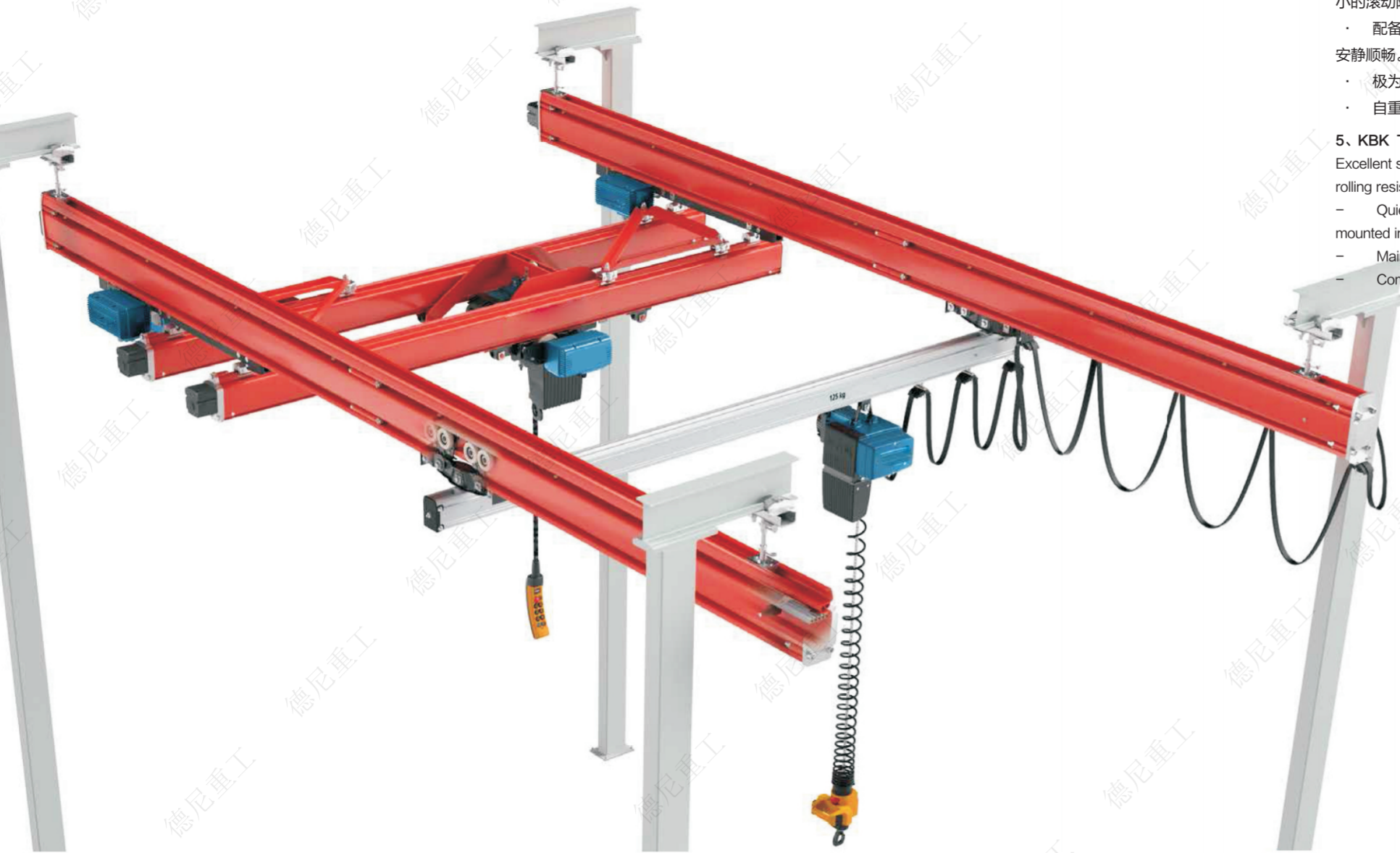
推荐用于高载荷和复杂的设备:

- 电动和气动设计
- 通过高摩擦系数的大摩擦轮安全传递驱动扭矩
- 牵引力大: 行走驱动和轨道之间的动力啮合与载荷的位置和重量无关
- 驱动具有噪声低的行走特性

6、TRAVEL DRIVES

Recommended for use with heavy loads and complex installations:

- Electric and pneumatic variants
- Large friction wheels that have a high friction coefficient ensure reliable transmission of drive torque
- High traction: connection between travel drive and track does not depend on position and weight of the load
- Quiet-running drives



KBK 钢轨型号 / KBK steel profile sections



III-DEL III II-H-R II-H II-R II II-L I 100

KBK 铝轨型号 / KBK Aluline profile sections



A12 A16 A18 A18-R A22 A22-R

ALUMINUM ALLOY RAIL SYSTEM

铝合金轨道系统

1、吊点

安全承受向上的力:

- 通过橡胶阻尼元件吸收横向力，并传递力到上部结构；
- 刚性设计可精确到毫米；
- 是机械手、悬伸式起重机或偏载应用的不二之选。

1、Suspension

- Rigid design that can be adjusted down to the last millimeter.
- Accommodates kick-up forces and transfers them to the superstructure via rubber damping elements.
- Ideally suited for applications with manipulators, extending cranes or offset loads.

2、端盖

- 易于安装的轨道端盖；
- 可配置特殊的吸震装置，如橡胶或纤维缓冲器，以及减震器，以吸收各种冲击力，减少对其他部件和钢结构的影响。

2、End caps

- Easy to be installed;
- Special shock absorbers are required on rigid systems with uncompensated loads. Shock absorbers integrated in the end caps dissipate the energy transmitted by impact loads to all components and assemblies as well as the support superstructure.

3、小车

即使在高运行速度下，也能实现完美顺畅的运行和精准的定位:

- 能在整个使用周期内顺畅运行，并确保最小的滚动阻力；
- 减磨轴承可终身润滑；
- 标配的侧面导向滚轮实现顺畅运行；
- 自重轻，设计精巧。

3、Trolley

- Excellent smooth-running performance and minimum rolling resistance over their entire service life
- Anti-friction bearings lubricated for life
- Lateral guide rollers for smooth travel as standard.
- Sleek design with minimum deadweight.



4、起重机端梁

刚性端梁设计:

- 轻量化的结构；
- 定位精度提高；
- 最佳的载荷分配；
- 配备刚性连接的起重机小车。

4、End carriage for crane

- Rigid design
- Lightweight structure
- Improve the positioning precision
- The best load distribution
- Matched with rigid connected crane trolley

5、集成式滑触线

- 可作为A18和A22两种型轨的选配；
- 改善净空尺寸，设计简洁利落，降低了事故和碰撞的风险；
- 安全可靠的宫殿配置，无需额外的宫殿配间——也适用于一条轨道上的两台起重机。

5、Integrated conductor line

- Available as an option for profile section sizes A18 and A22;
- Improved headroom dimensions, uncluttered design, reduced risk of accidents and collisions;
- Safe and reliable electric powerfeed arrangement without the need for additional power supply fittings - also for more than two cranes on one track.

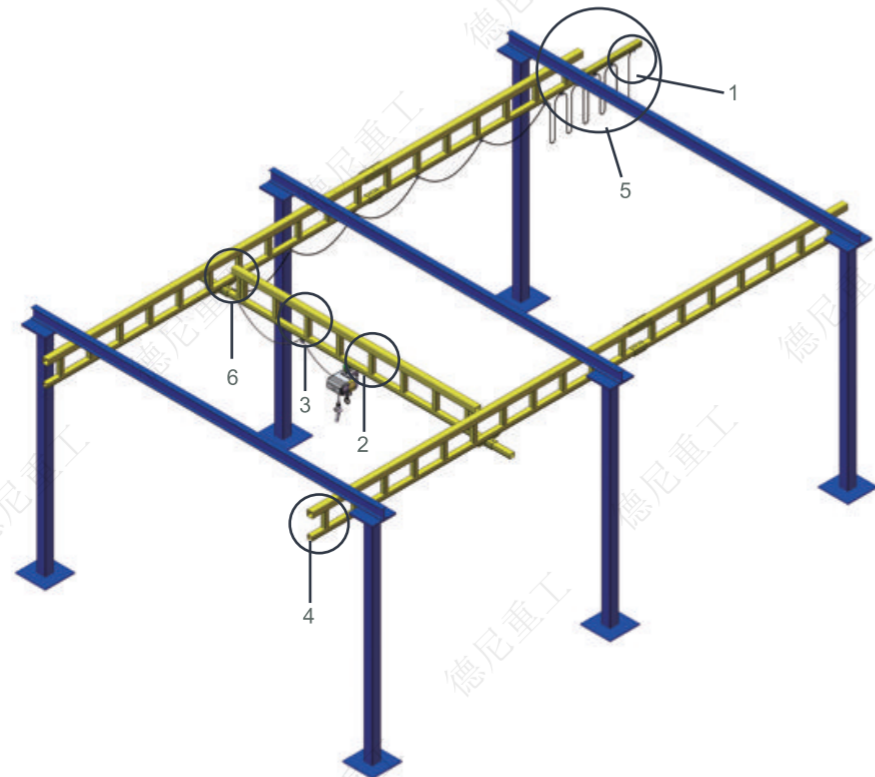
RIGID CRANE SYSTEM

刚性轨道系统

德尼轻载起重机系统为传统的悬挂起重系统提供符合人体工程学以及具有成本效益的解决方案，尤其是那些对于高度和空间都受限的应用中。德尼模块化的设计，可以在大量的实际应用中实现多功能多样化且安全可靠的悬挂输送方案。坚固耐用的设计能力以及高标准的制造要求确保了超长使用寿命以及低维护次数。

我们的产品系列包含：滑动门系统、悬挂输送系统、电缆悬吊系统、防坠落制动系统以及轻载起重机系统。

DENI Light Crane System provides an ergonomic and cost effective solution to conventional overhead crane systems particularly when there is a height and space restriction. Versatile and reliable overhead handling can be achieved for a variety of applications using the DENI modular design. The robust design of our components and the high standard of manufacturing guarantees long life with the minimum of maintenance. Our program range consists of sliding door fittings, overhead conveyor systems, festoon systems, fall arrest systems and light cranes.



1.带缆绳终端夹的末端止挡
End stop with cable end clamp



2.带销子的主梁滑车
Trolley with pin



3.电缆滑车
Cable trolley



4.轨道末端止挡
Track end stop



5.悬吊存储区
Festoon Storage

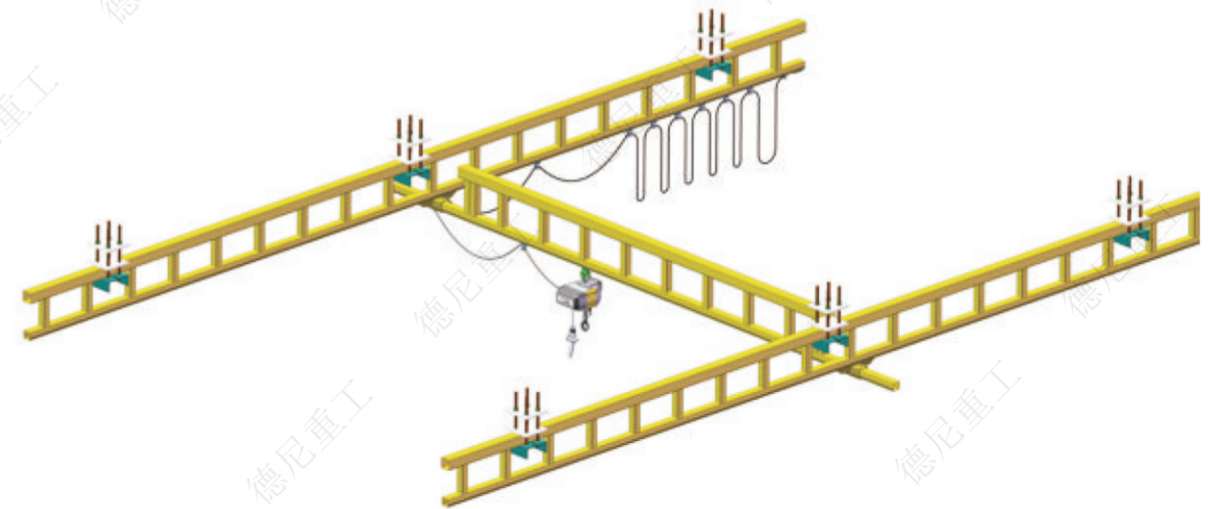


6.带轨道接头的型轨小车
End carriage with track joint

采用桁架式轨道的悬挂式起重机 / Ceiling Mounted Crane with Reinforced Long Travel

当顶部吊装钢结构受限时，可采用桁架式轨道以便减少吊点的数量。

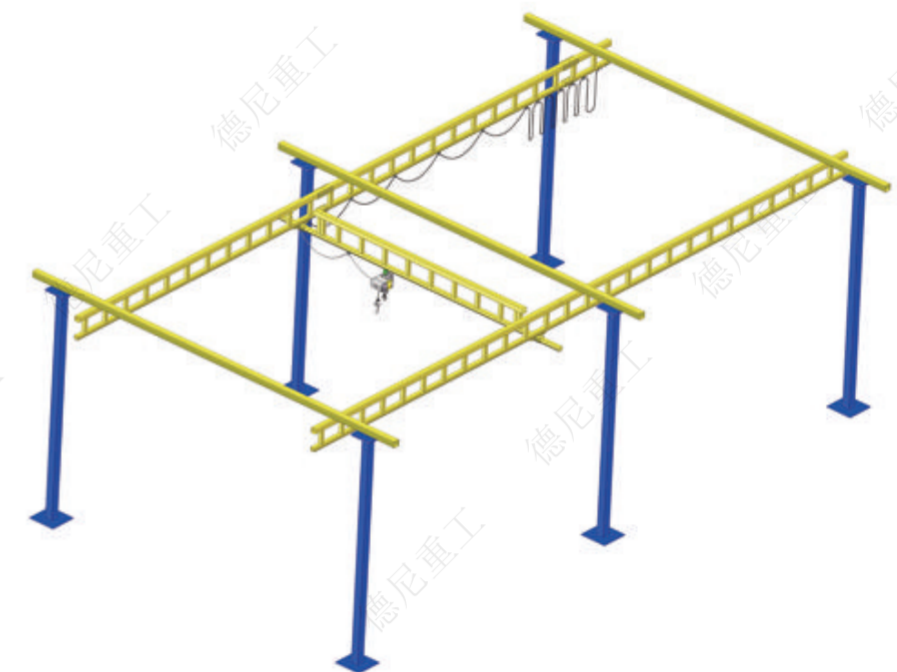
In the case where the overhead steel structure is limited, reinforced track profiles can be used to minimise the supporting points required.



采用桁架式轨道的自立式起重机 / Floor Mounted Crane with Reinforced Long Travel Tracks

采用桁架式轨道可以增加支撑吊点间距，因此不需要安装型轨顶部相平行的工字钢。这种情况下安装也简便了很多，节约了安装时间。

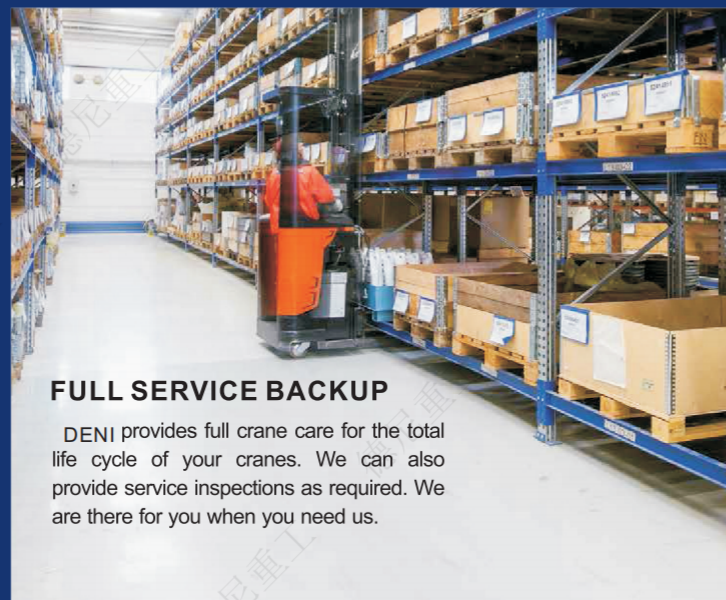
By using reinforced track profiles in the long travel the support distance can be increased rendering the I beams along the track profiles unnecessary. This way installation time is also minimised.





SPARE PARTS AVAILABILITY

Our global spare parts network offers excellent availability of parts, wherever you are located.



FULL SERVICE BACKUP

DENI provides full crane care for the total life cycle of your cranes. We can also provide service inspections as required. We are there for you when you need us.

After-sales technical solutions

全方位的售后技术解决方案

- 设备安装 / Cranes Installation
- 备品备件供应 / Spare Parts
- 部件维修 / Parts Repair
- 维护保养服务 / Maintenance Service
- 应急维修服务 / 24 Hours Stand-by Service
- 设备改造服务 / Cranes Modification
- 提供专业的培训 / Training



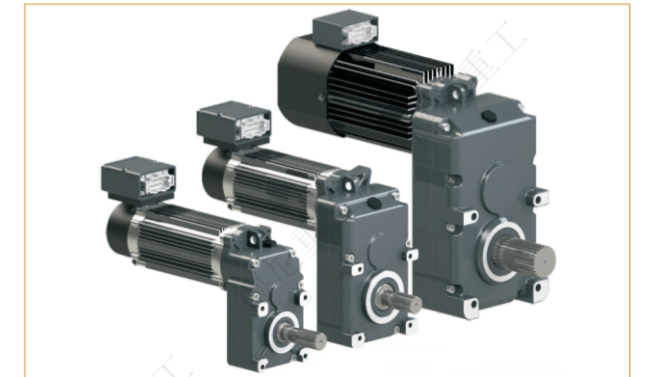
Pneumatic Chain Hoist / 气动环链葫芦



Hand Chain Hoist / 手拉环链葫芦



Open Winch / 卷扬起升机构



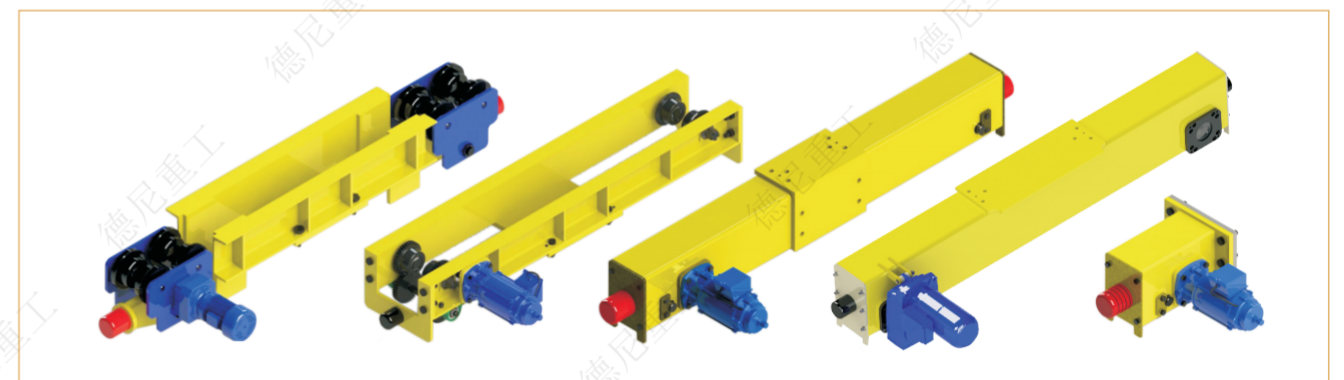
Gearmotor / 三合一驱动电机



Electric Wire Rope Hoist / 钢丝绳电动葫芦



DRS Wheel Box / DRS轮箱



End Carriage / 端梁